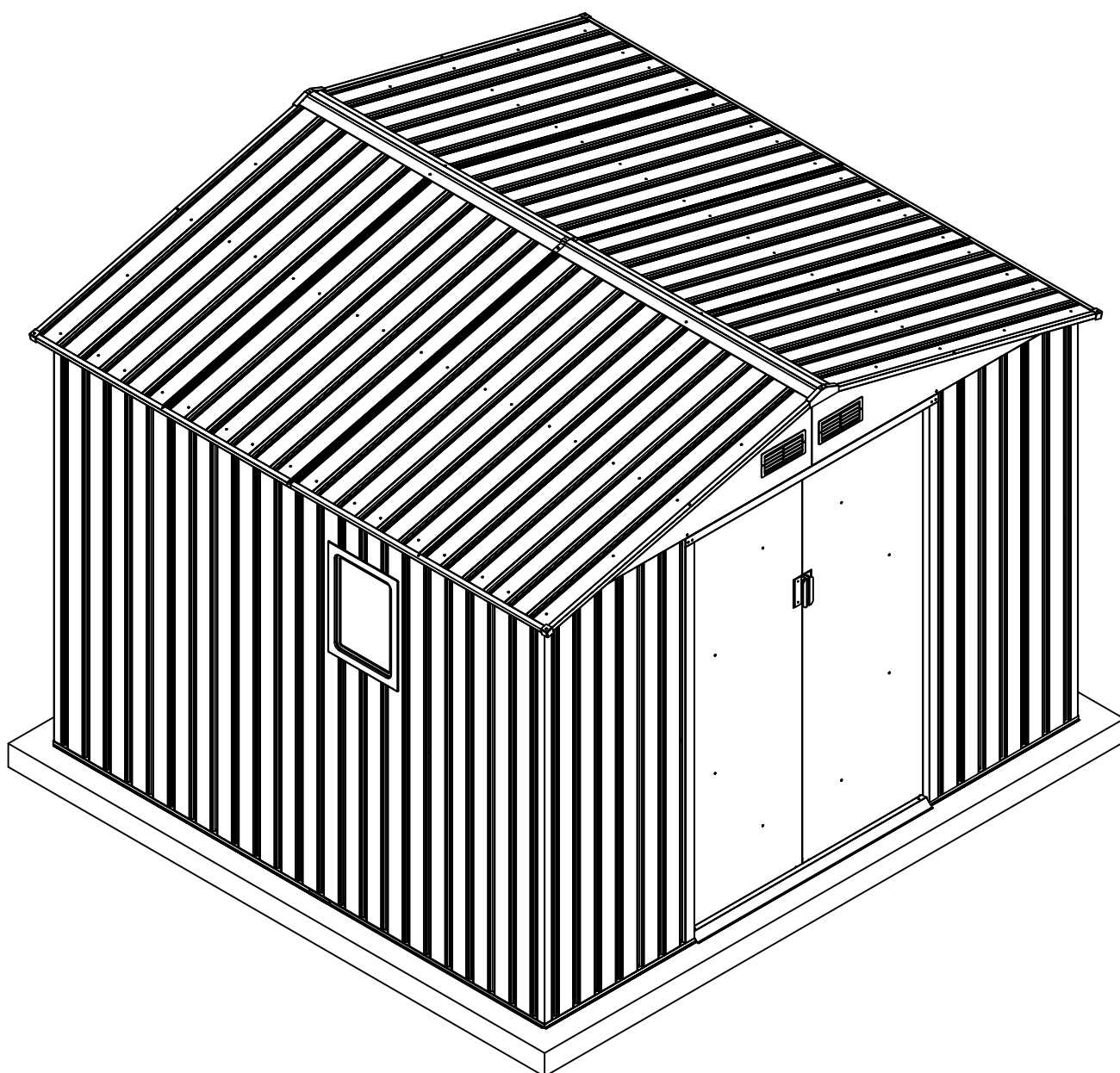


KOVOVÁ KŮLNA

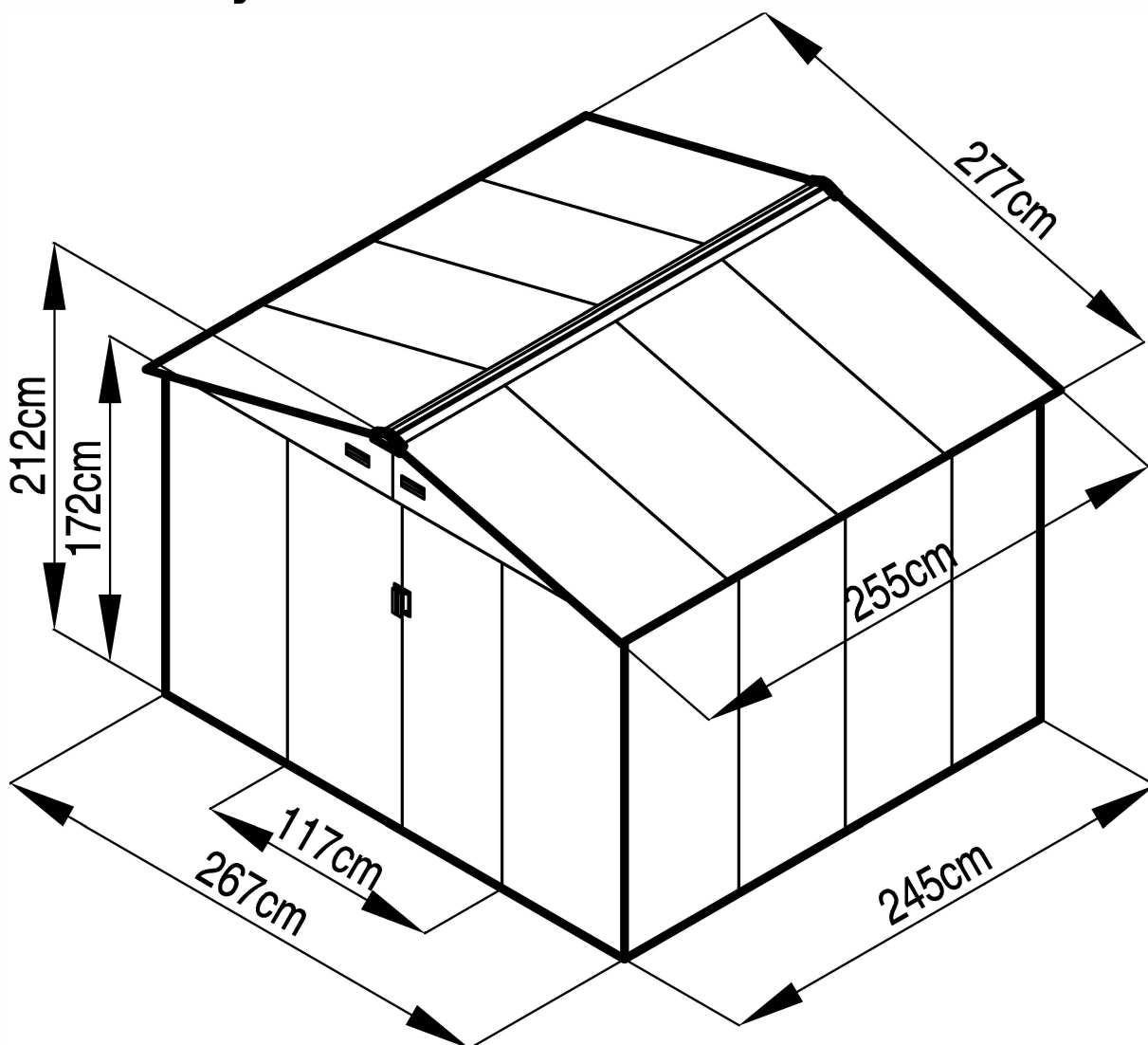


Montážní návod

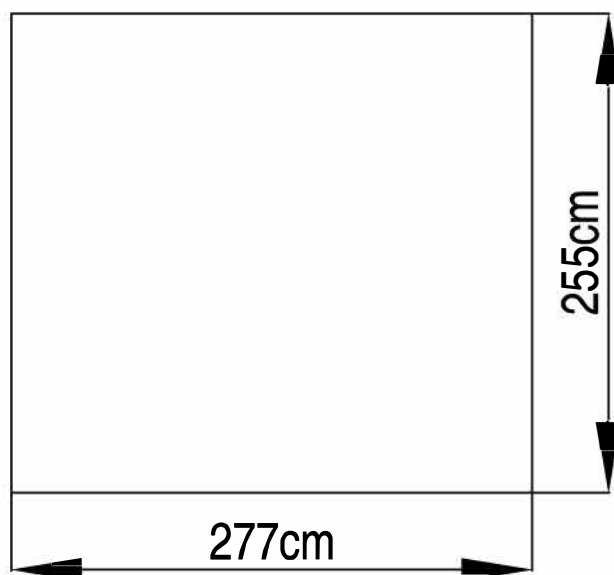


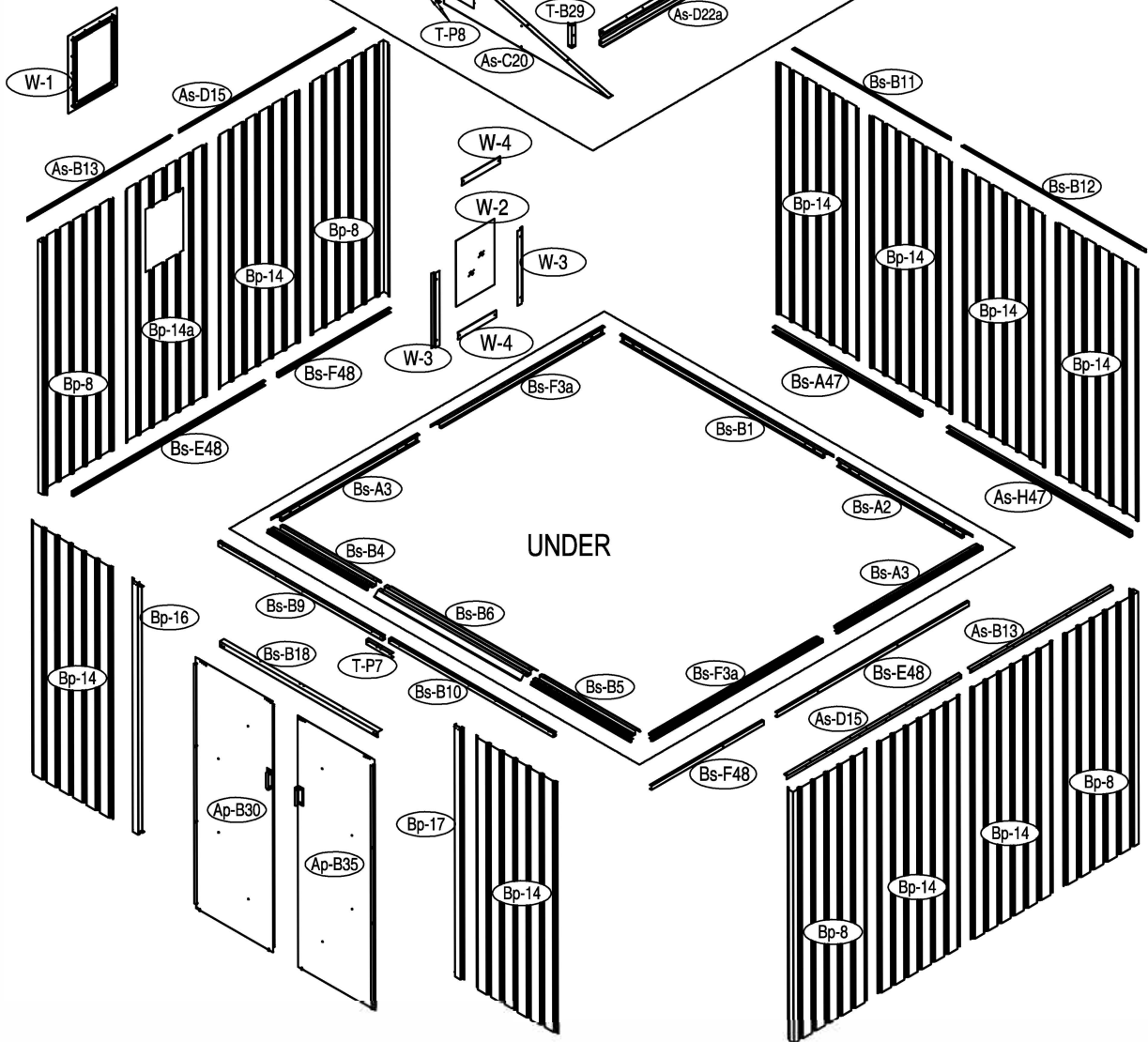
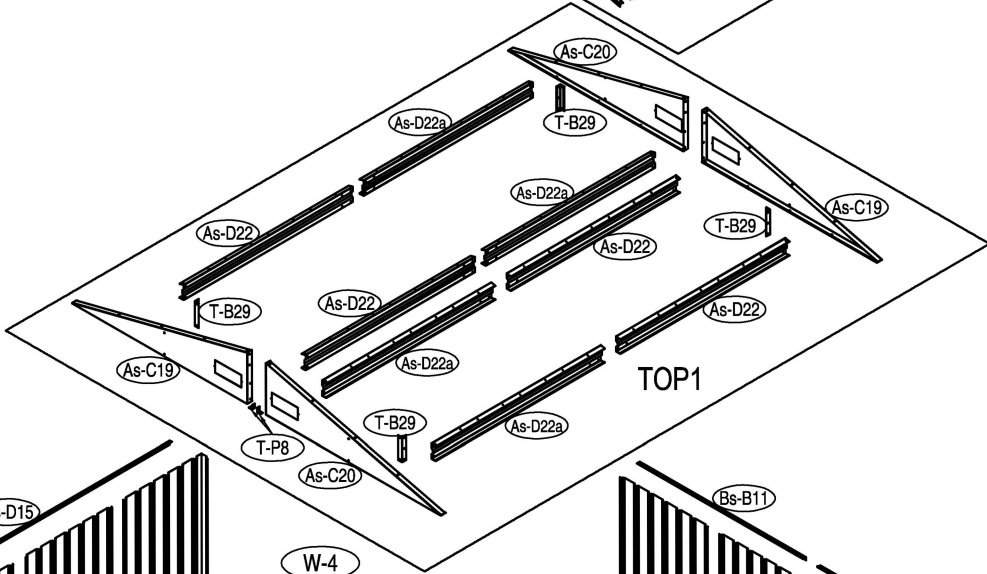
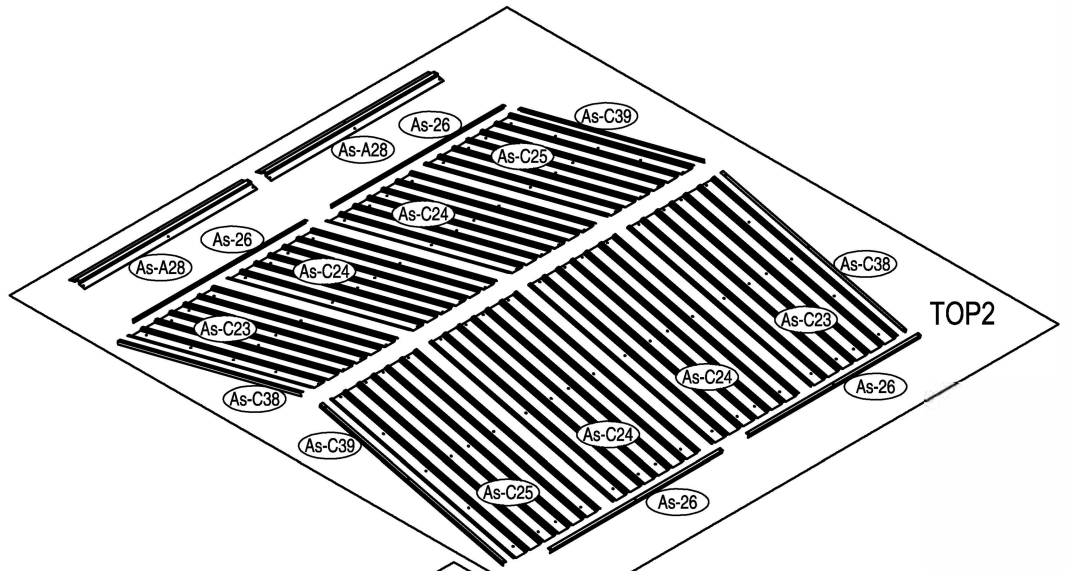
Montáž vyžaduje 2 osoby a zabere 3 - 4 hodiny času.



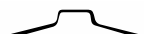
































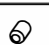

Velikost kůlny

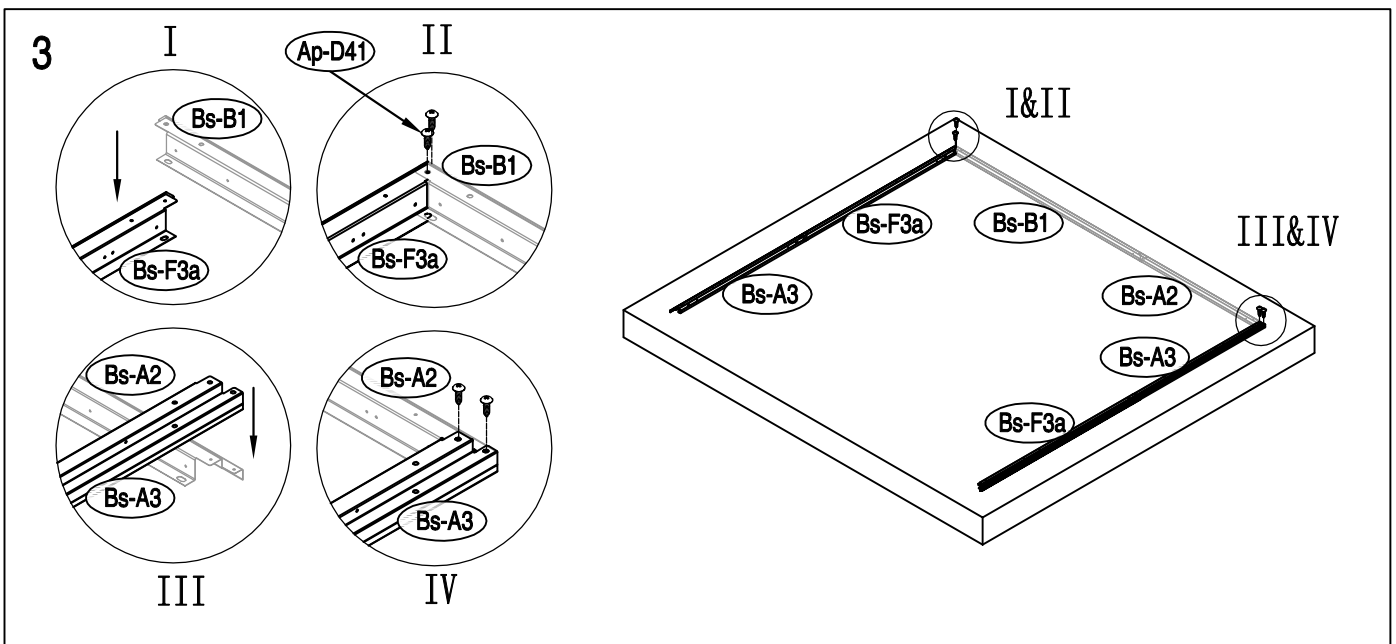
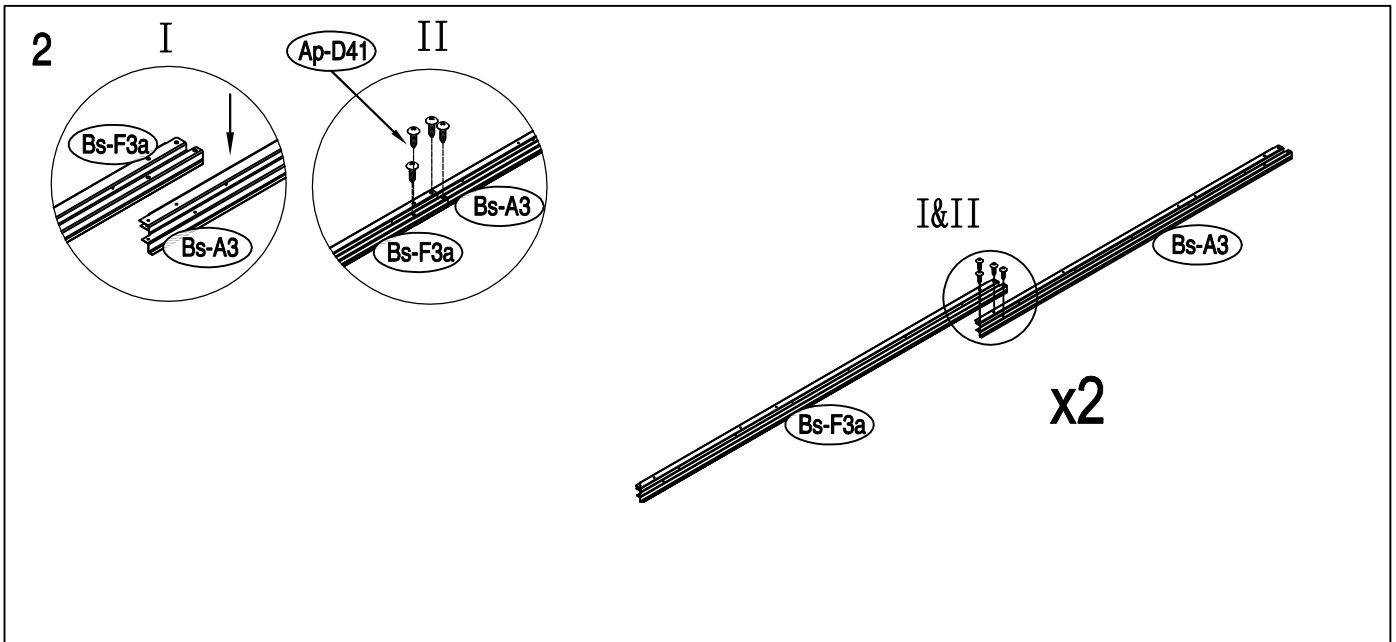
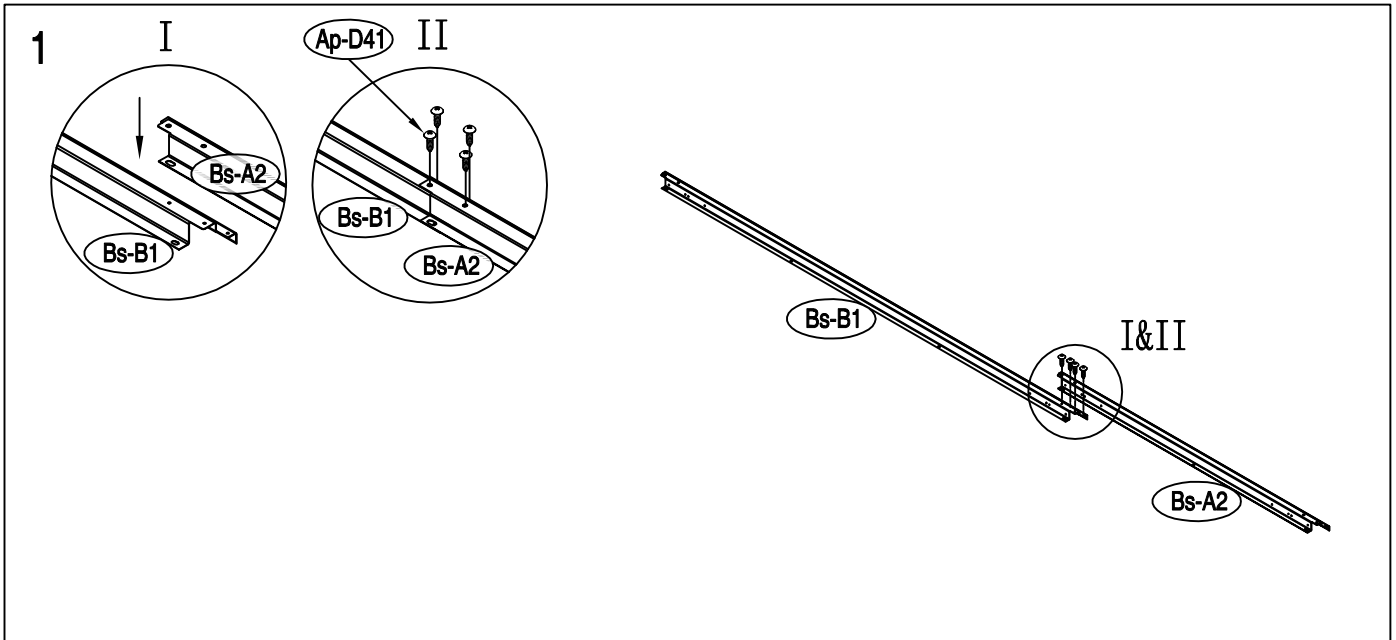


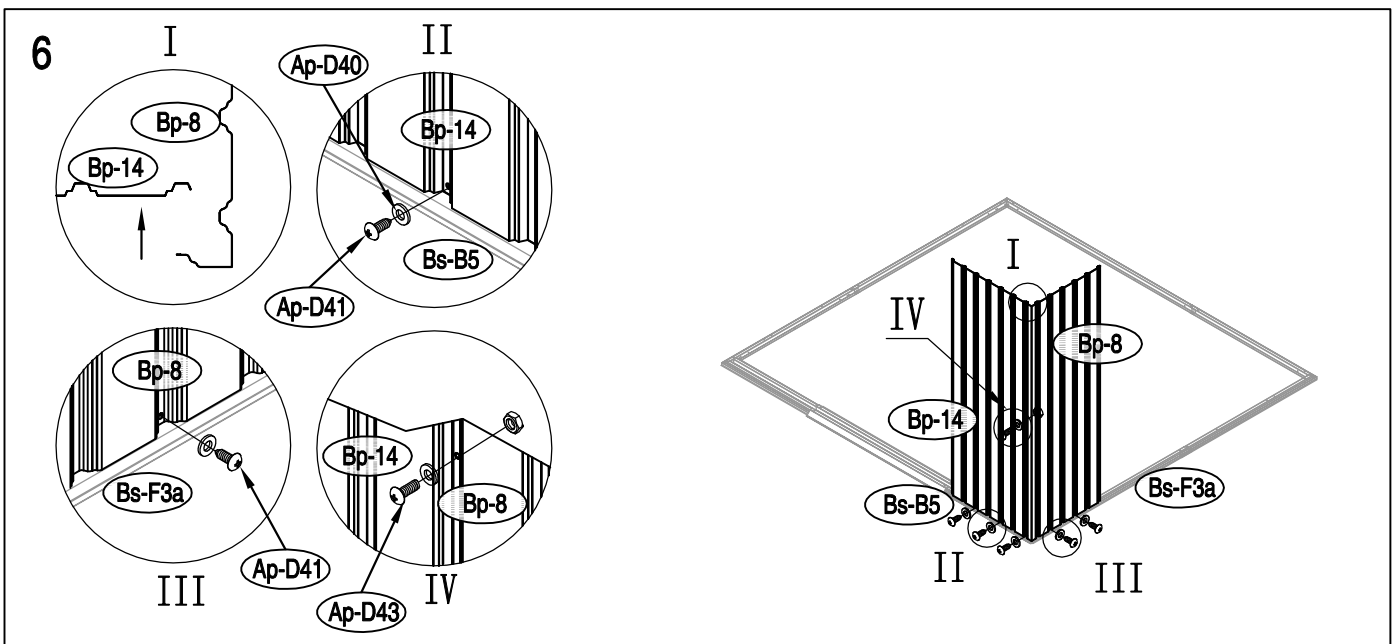
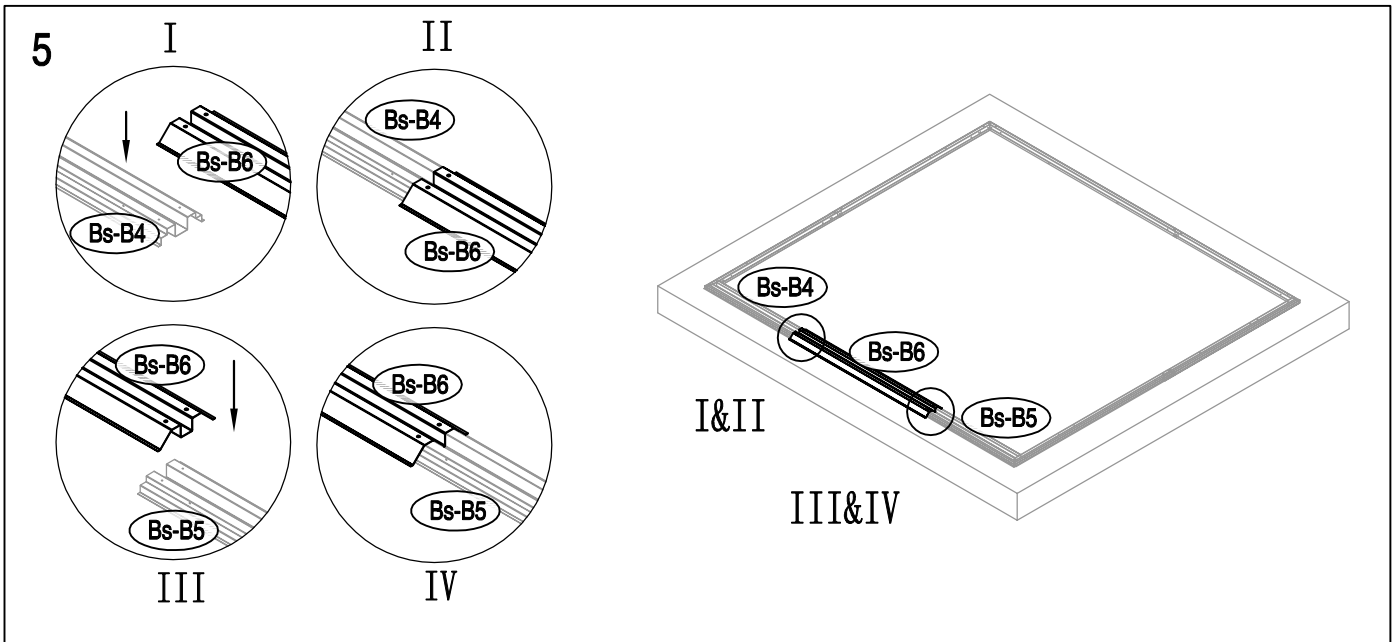
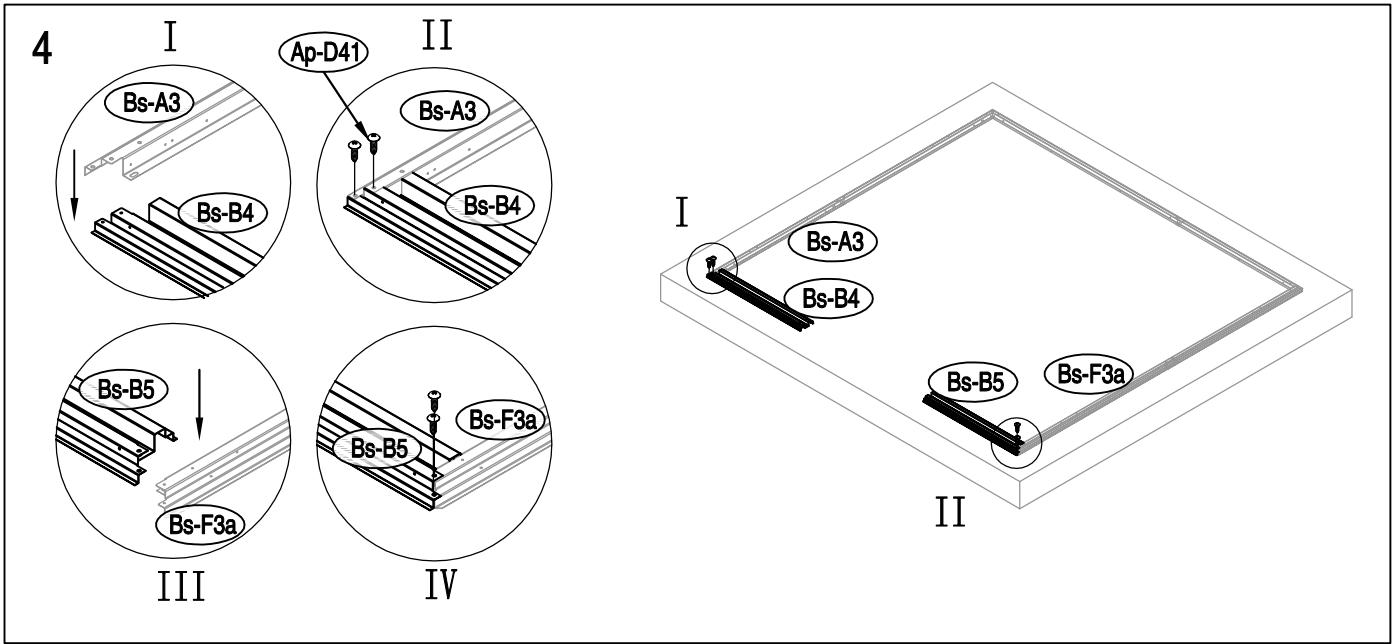
Rozloha pro instalaci

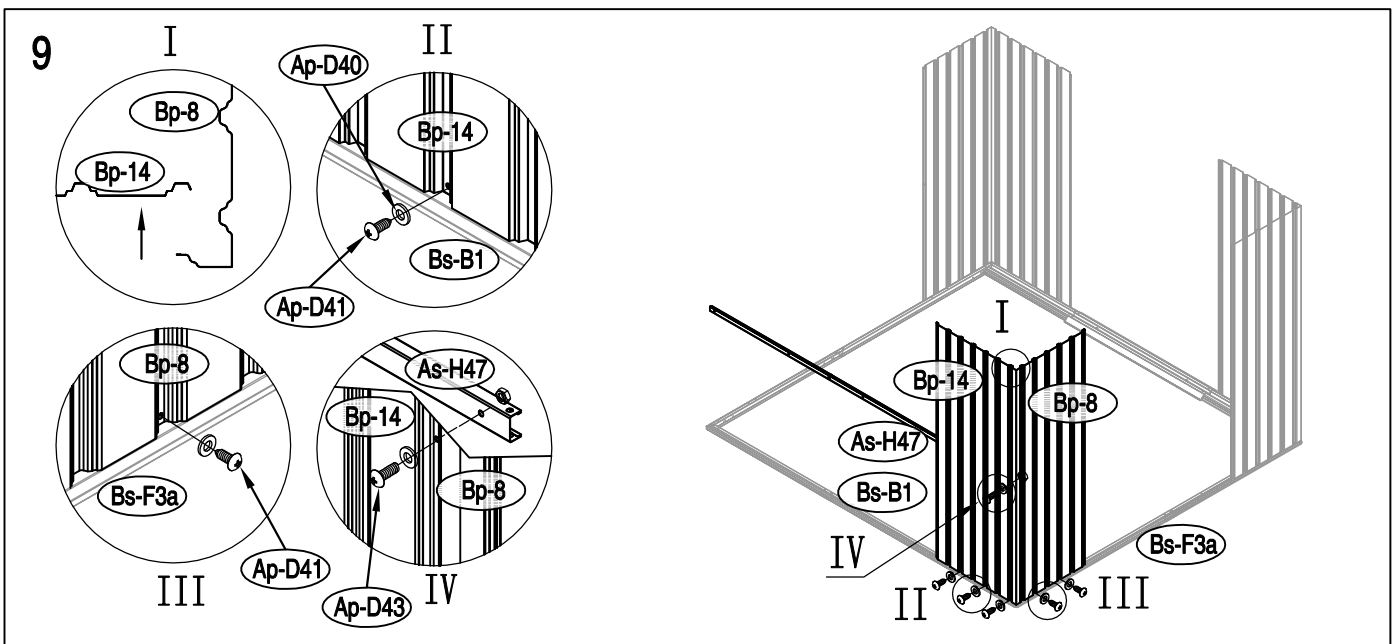
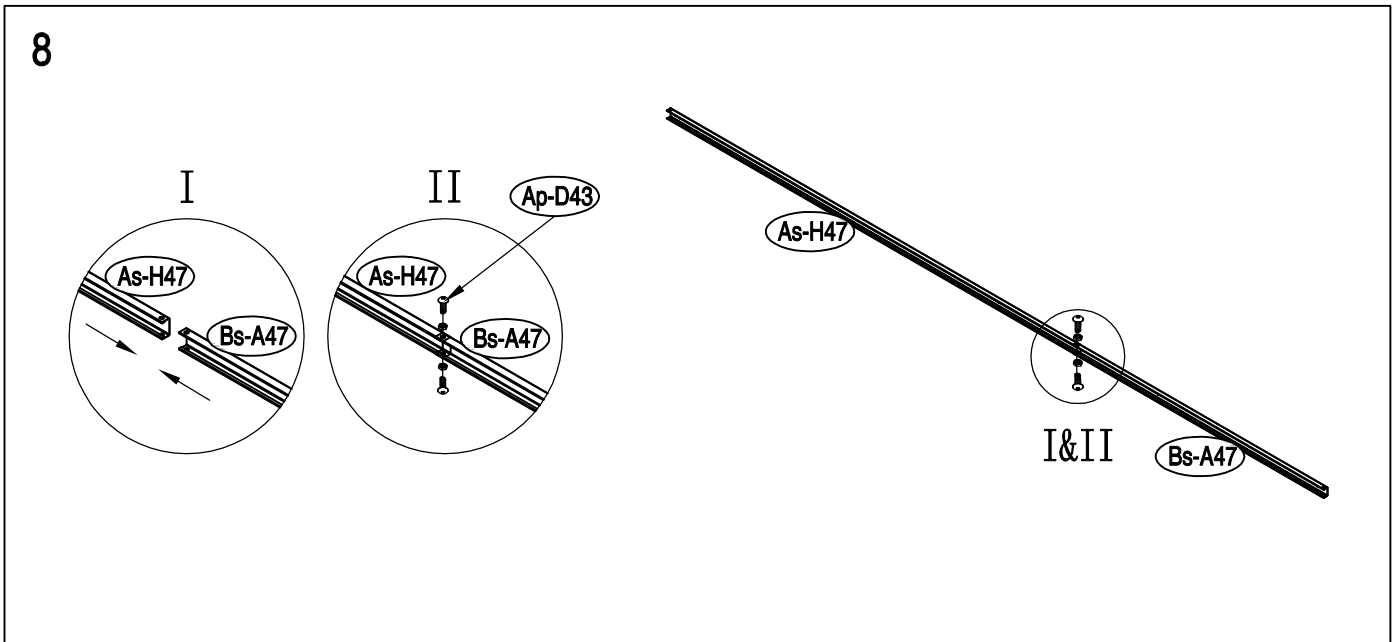
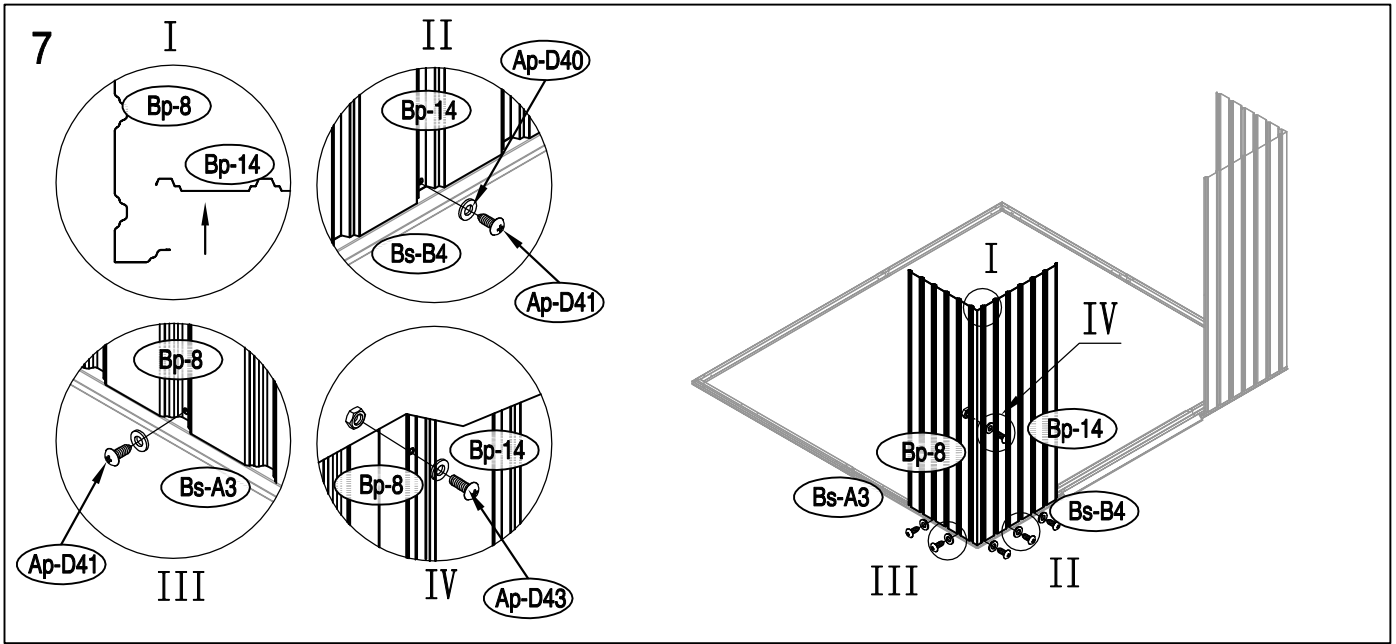


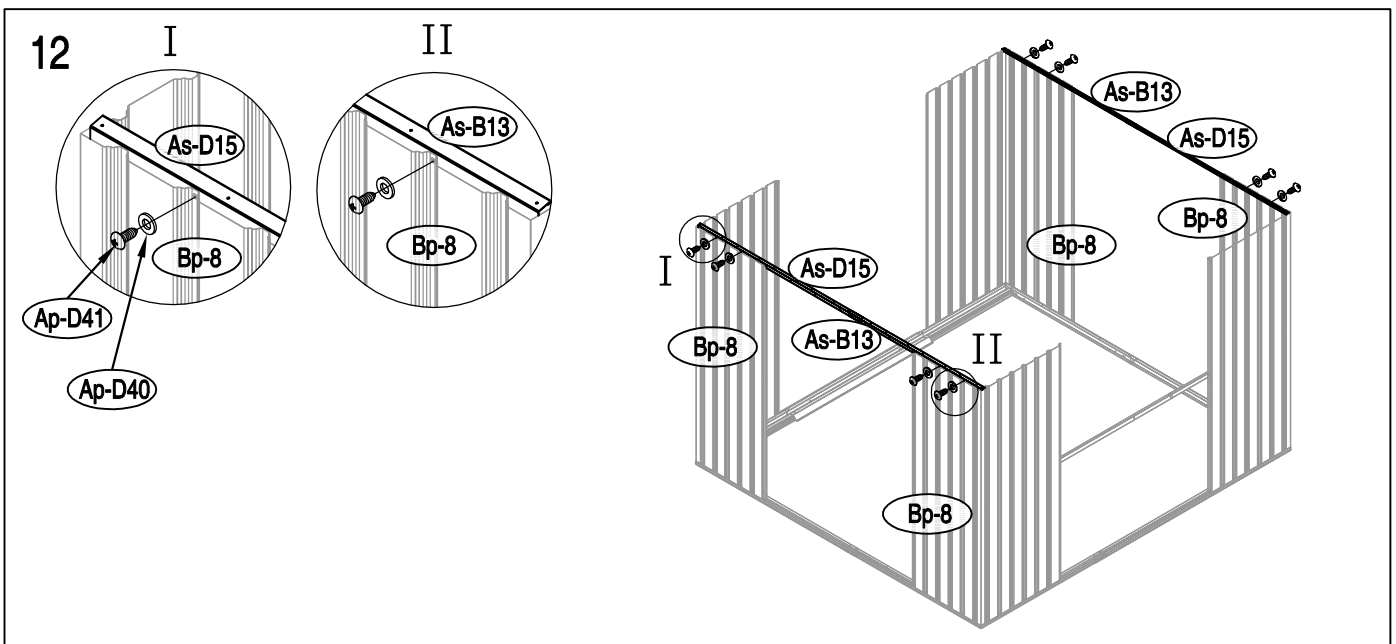
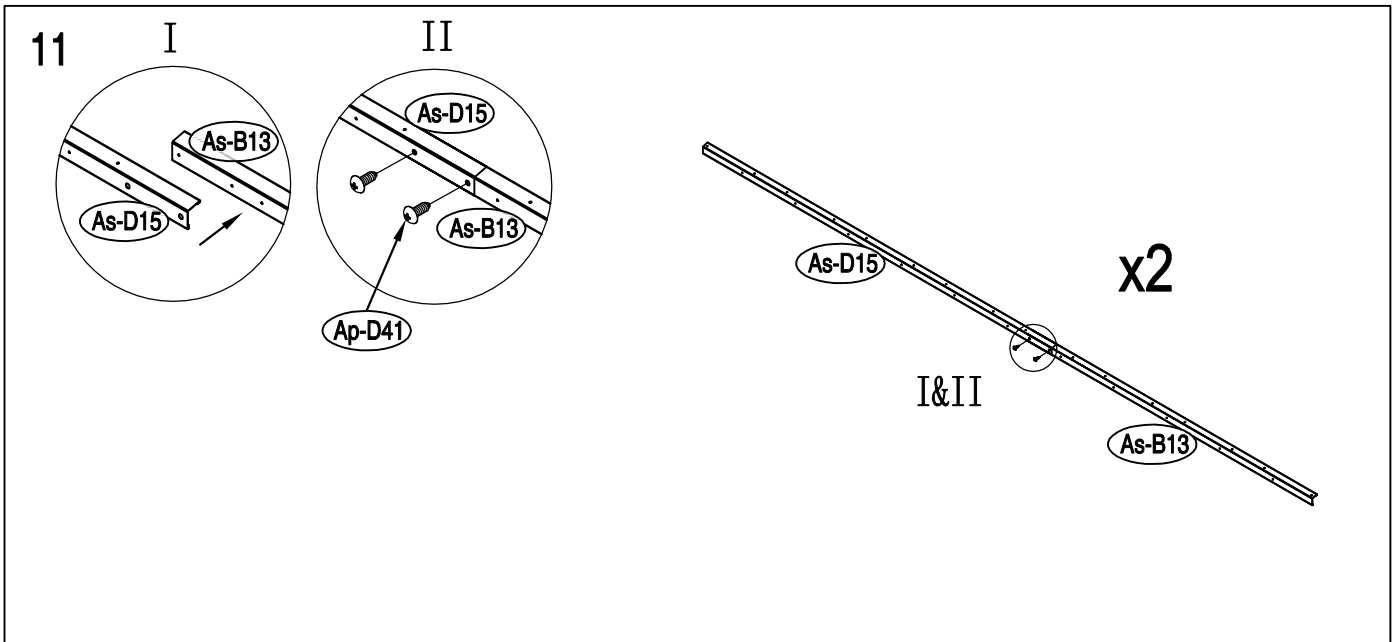
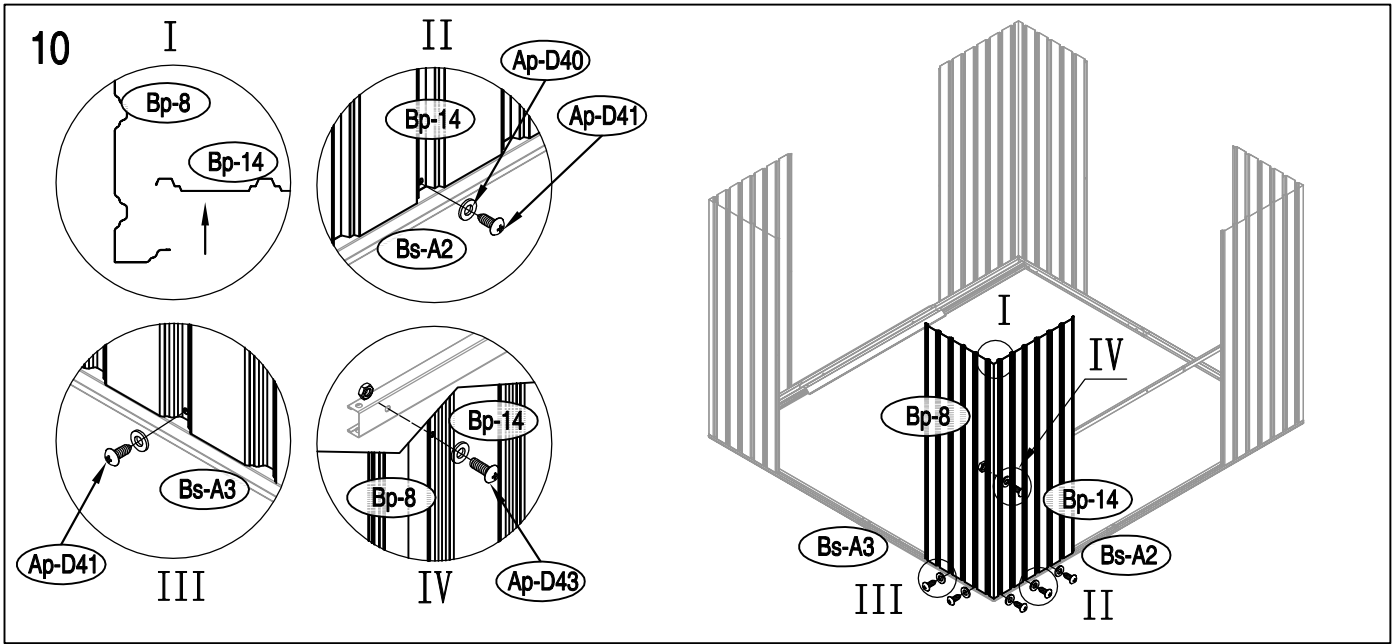


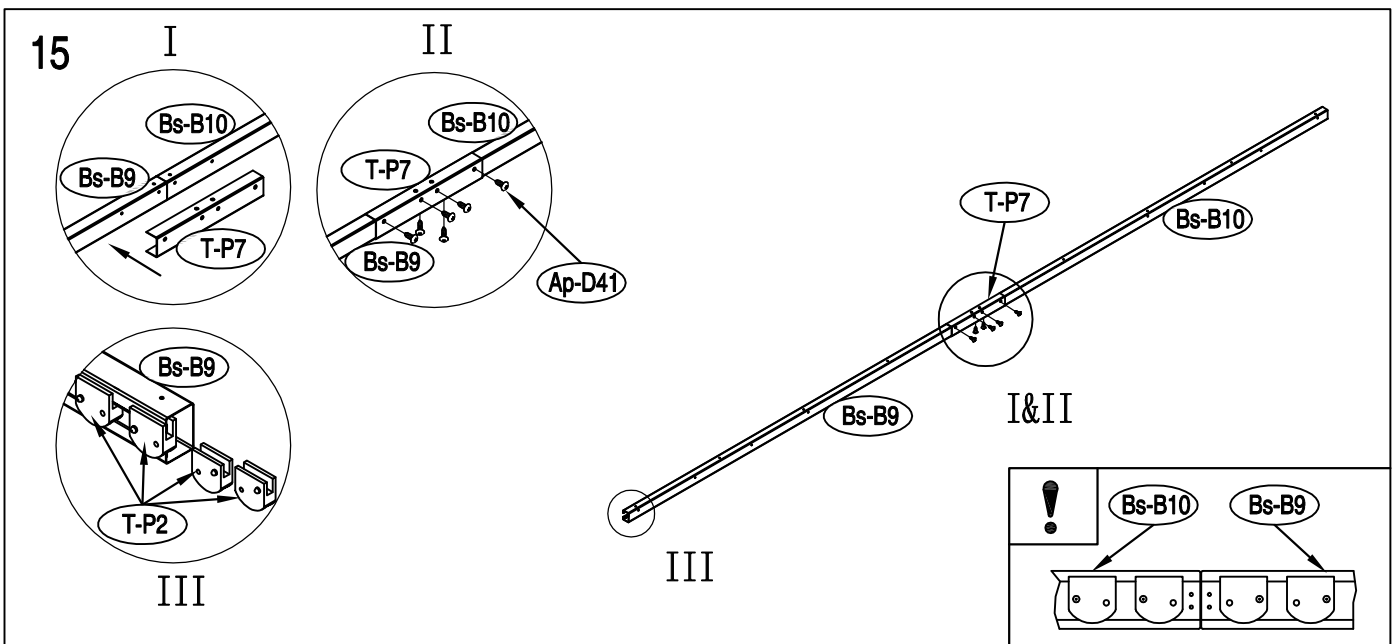
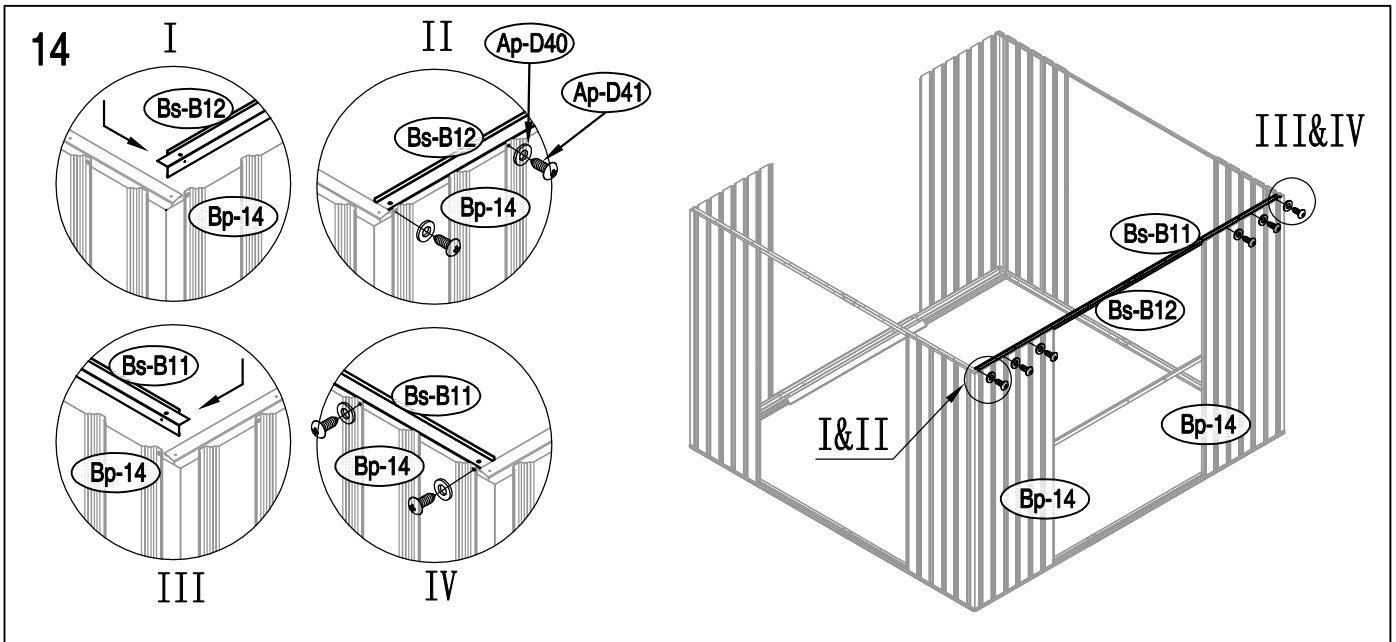
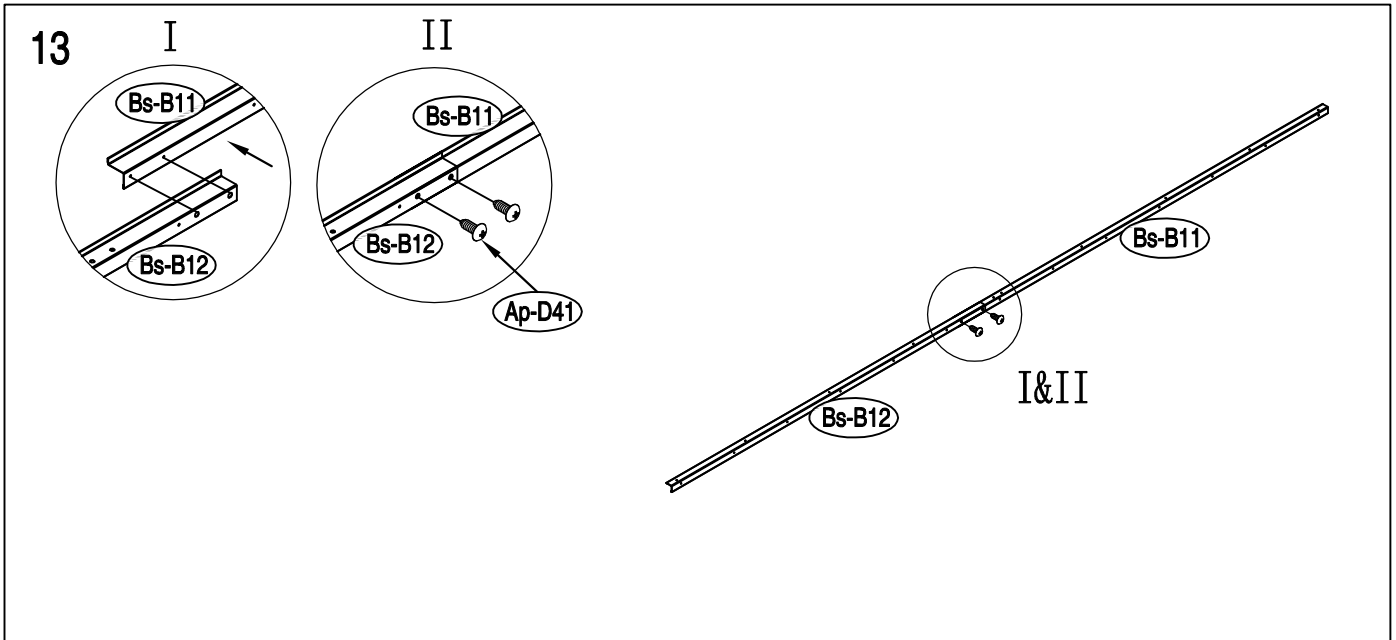
| NO. | Obr. | mm | Počet | NO. | Obr | mm | Počet |
|--------------|---|--------|-------|--------|---|--------|-------|
| podstava | | | | As-26 |  | 1296 | x4 |
| Bs-B1 |  | 1693 | x1 | As-C38 | | 1418 | x2 |
| Bs-A2 | | 1074 | x1 | As-C39 | | 1418 | x2 |
| Bs-A3 | | 1174 | x2 | As-A28 |  | 1298 | x2 |
| Bs-F3a | | 1380 | x2 | dveře | | | |
| Bs-B4 |  | 803 | x1 | Ap-B30 |  | 1743 | x1 |
| Bs-B5 | | 803 | x1 | Ap-B35 | | 1743 | x1 |
| Bs-B6 |  | 1170 | x1 | Bp-31 |  | 1683 | x2 |
| střední část | | | | Bp-B32 | | 1019 | x4 |
| Bp-8 |  | 1748 | x4 | Bs-B33 |  | 593 | x1 |
| Bp-14 |  | 1748 | x9 | Bs-B34 | | 593 | x1 |
| Bp-14a | | 1748 | x1 | Bs-B36 | | 593 | x1 |
| Bs-B9 |  | 1315 | x1 | Bs-B37 | | 593 | x1 |
| Bs-B10 | | 1315 | x1 | okno | | | |
| Bs-B11 |  | 1249 | x1 | W-1 |  | | x1 |
| Bs-B12 | | 1453 | x1 | W-2 |  | | x1 |
| As-B13 |  | 1145 | x2 | W-3 |  | 460 | x2 |
| As-D15 | | 1401 | x2 | W-4 |  | 246 | x2 |
| Bp-16 |  | 1748 | x1 | ANNEX | | | |
| Bp-17 | | 1748 | x1 | T-P1 |  | | x4 |
| Bs-B18 |  | 1257 | x1 | T-P2 |  | | x4 |
| Bs-A47 |  | 1004 | x1 | T-P3 |  | | x4 |
| As-H47 | | 1643 | x1 | T-P4 |  | | x2 |
| Bs-E48 | | 1539 | x2 | TP5A |  | | x4 |
| Bs-F48 | | 900 | x2 | T-P6 |  | | x2 |
| střecha 1 | | | | T-P7 |  | 200 | x1 |
| As-C19 |  | 1315.3 | x2 | T-P8 |  | | x2 |
| As-C20 | | 1315.3 | x2 | Ap-D40 |  | | x246 |
| As-D22 |  | 1274 | x4 | Ap-D41 |  | ST4X10 | x285 |
| As-D22a | | 1274 | x4 | Ap-D42 |  | ST4X16 | x21 |
| T-B29 |  | 160 | x4 | Ap-D43 |  | M4X10 | x103 |
| střecha 2 | | | | Ap-D44 |  | | x159 |
| As-C23 |  | 1420 | x2 | | | | |
| As-C24 | | 1420 | x4 | | | | |
| As-C25 | | 1420 | x2 | | | | |

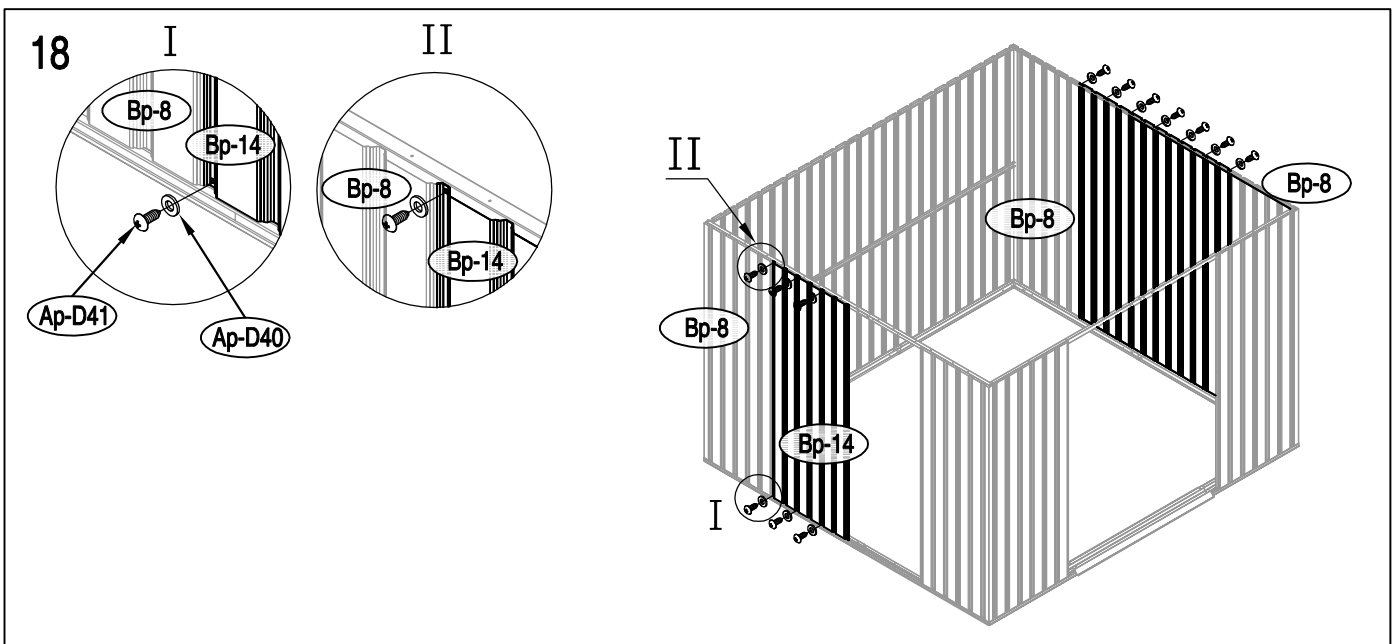
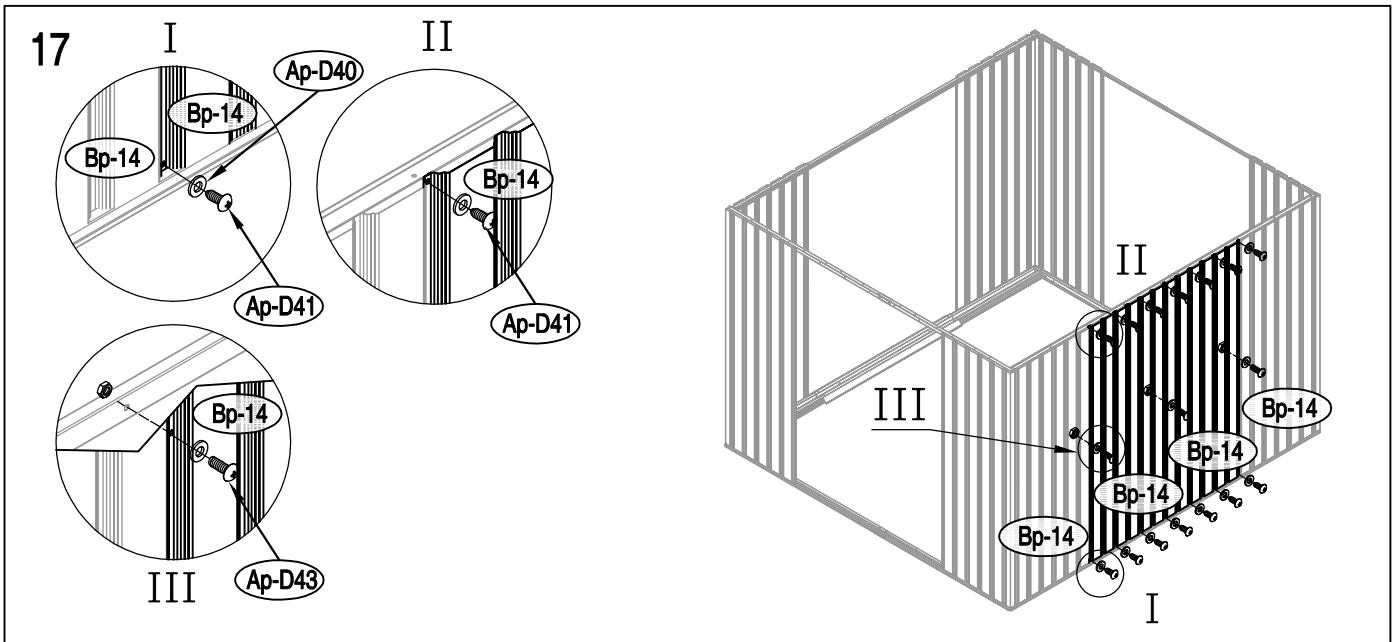
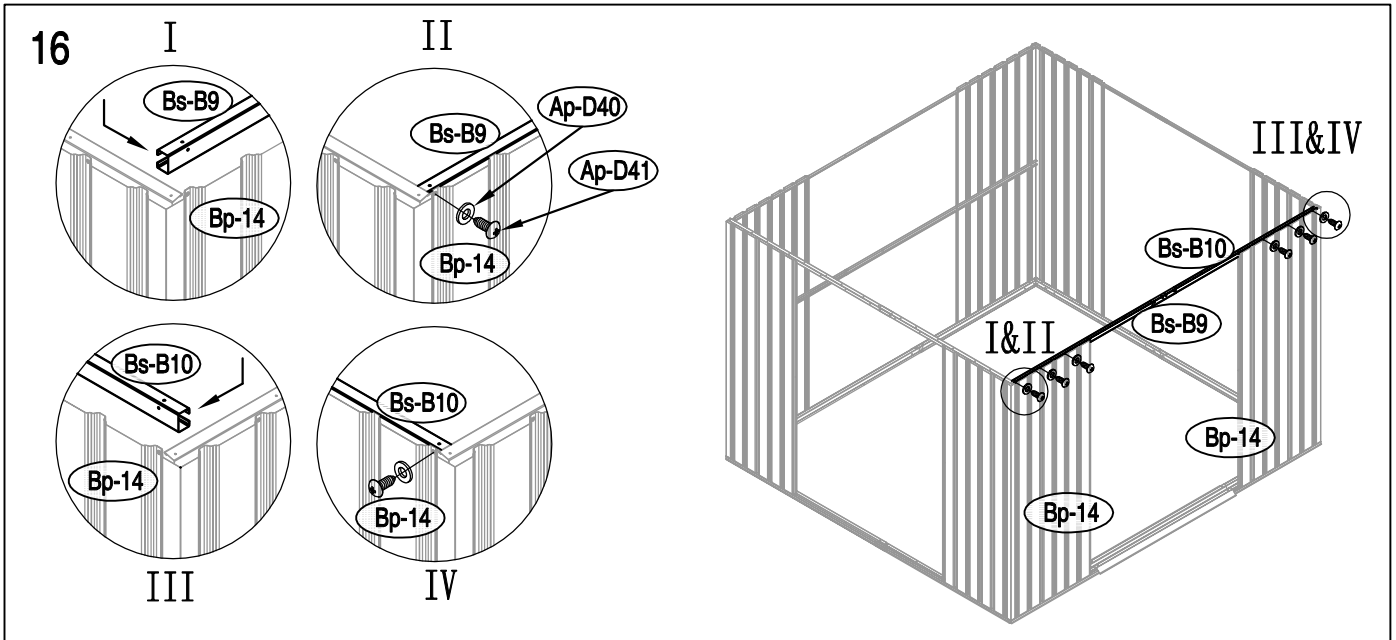


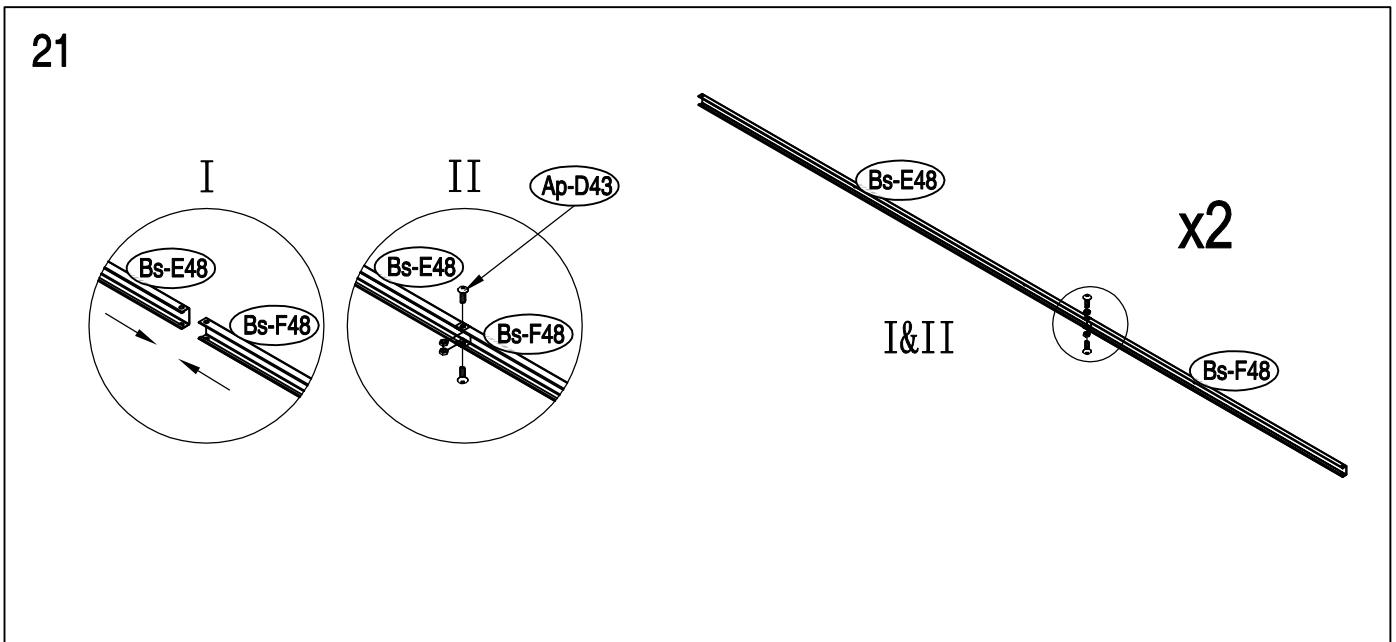
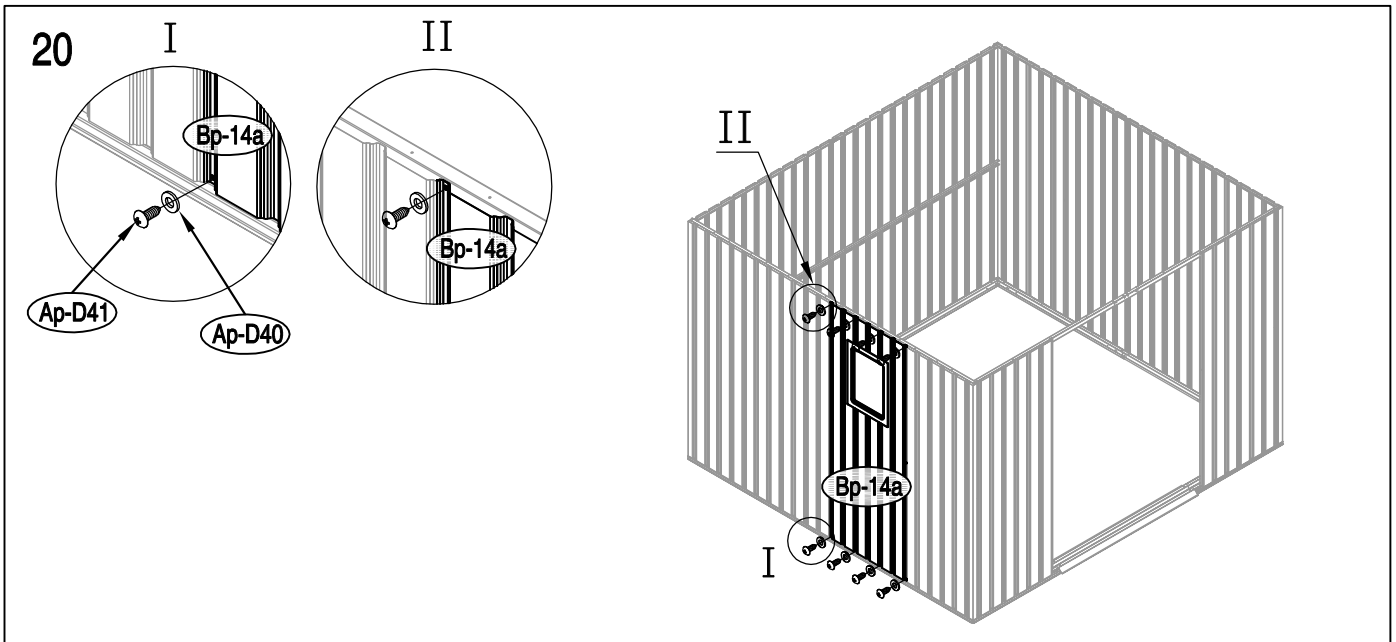
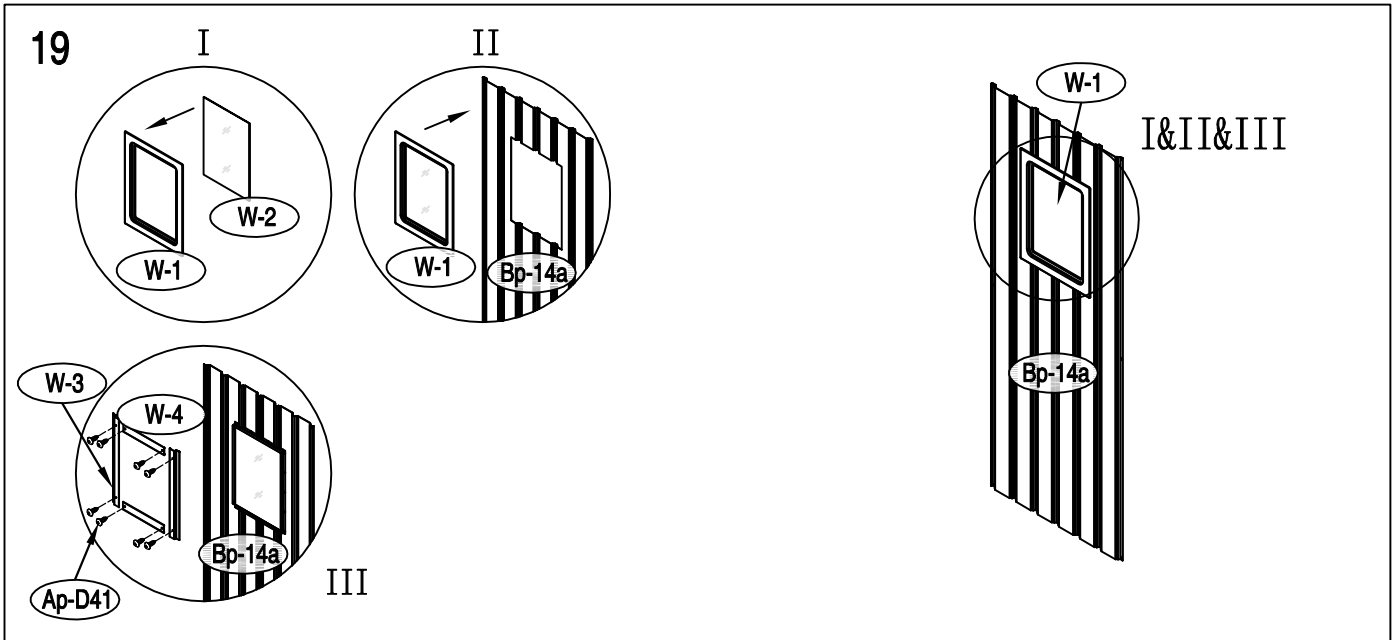


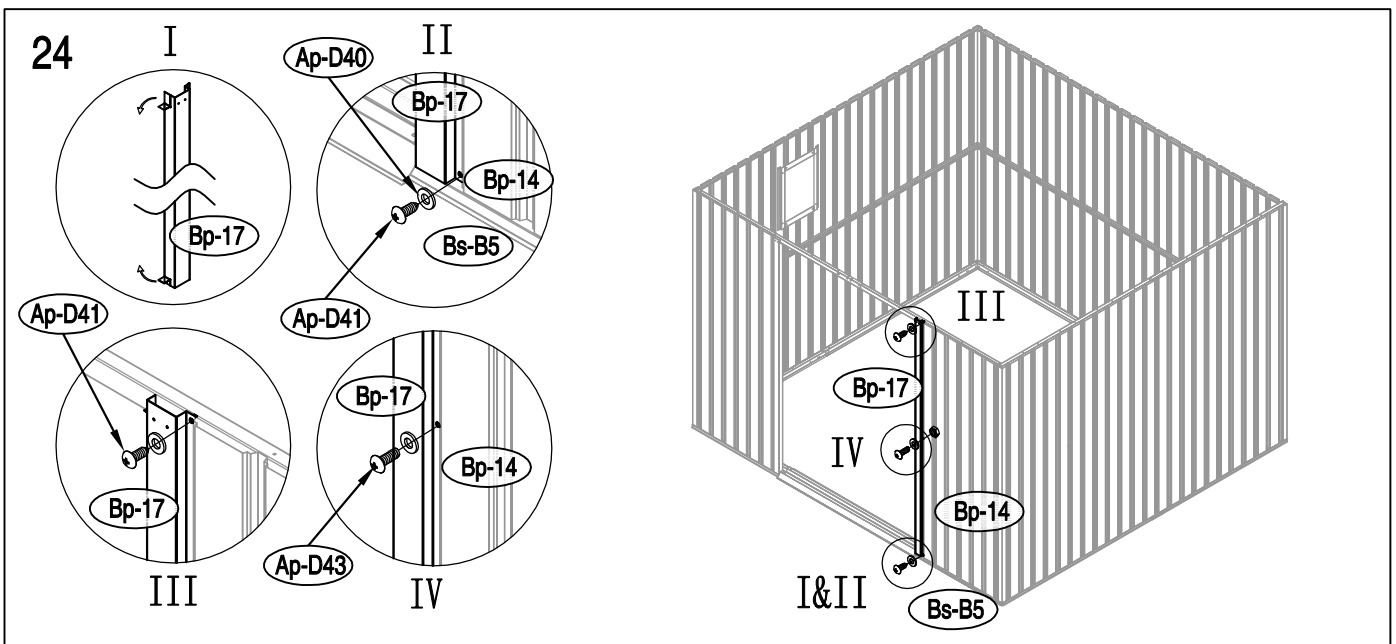
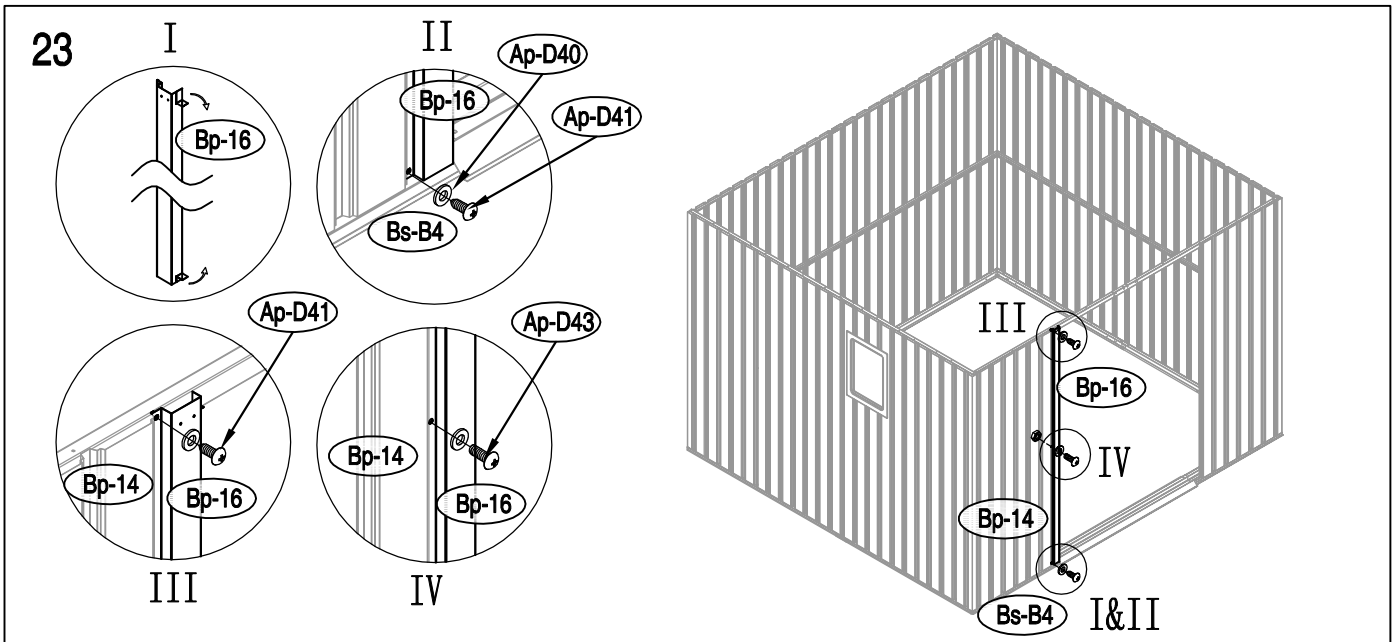
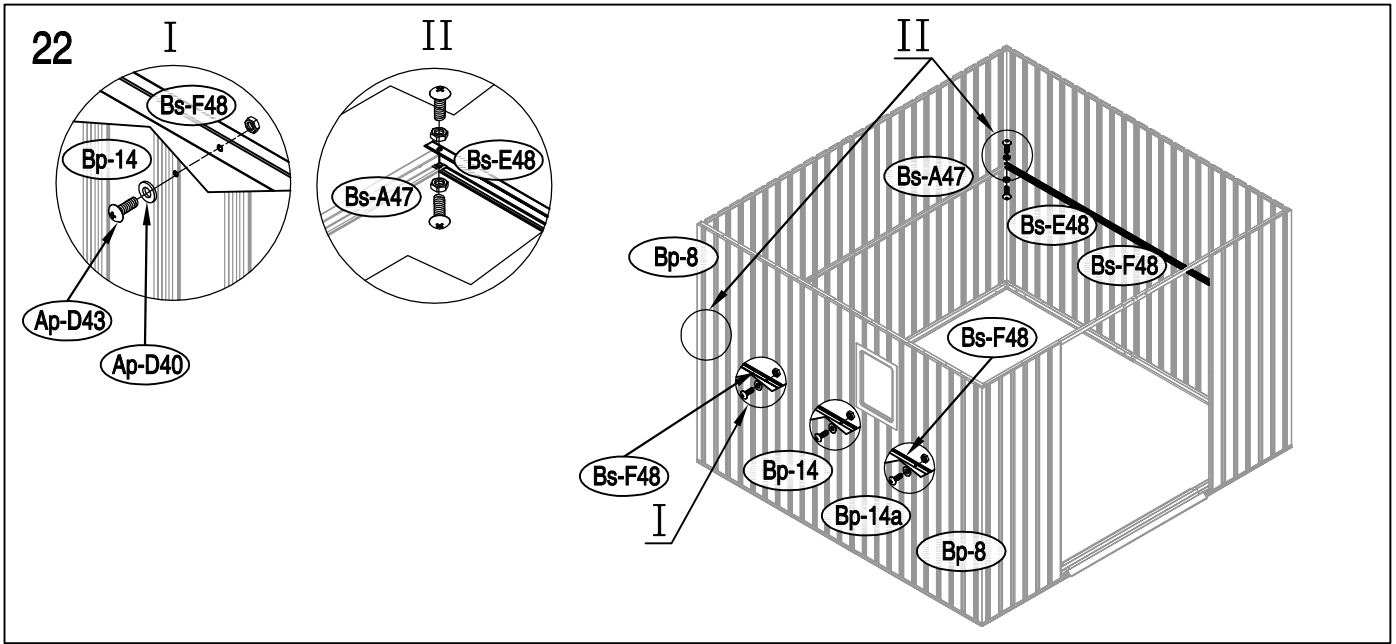


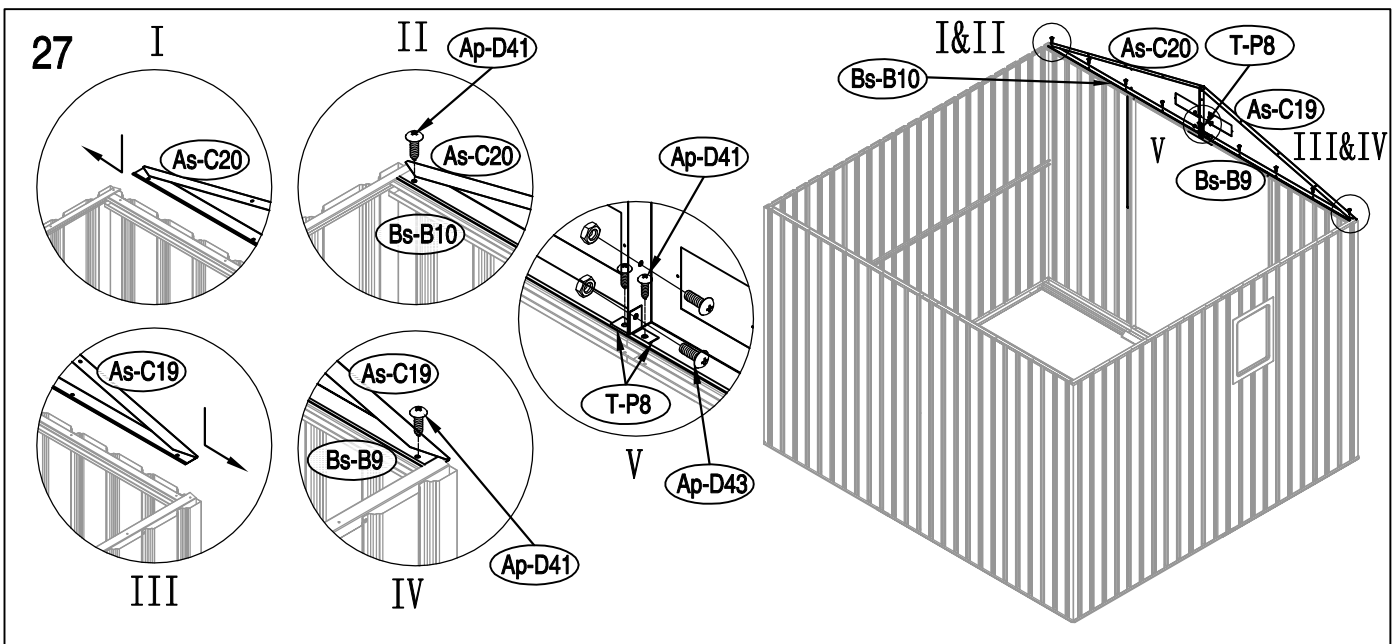
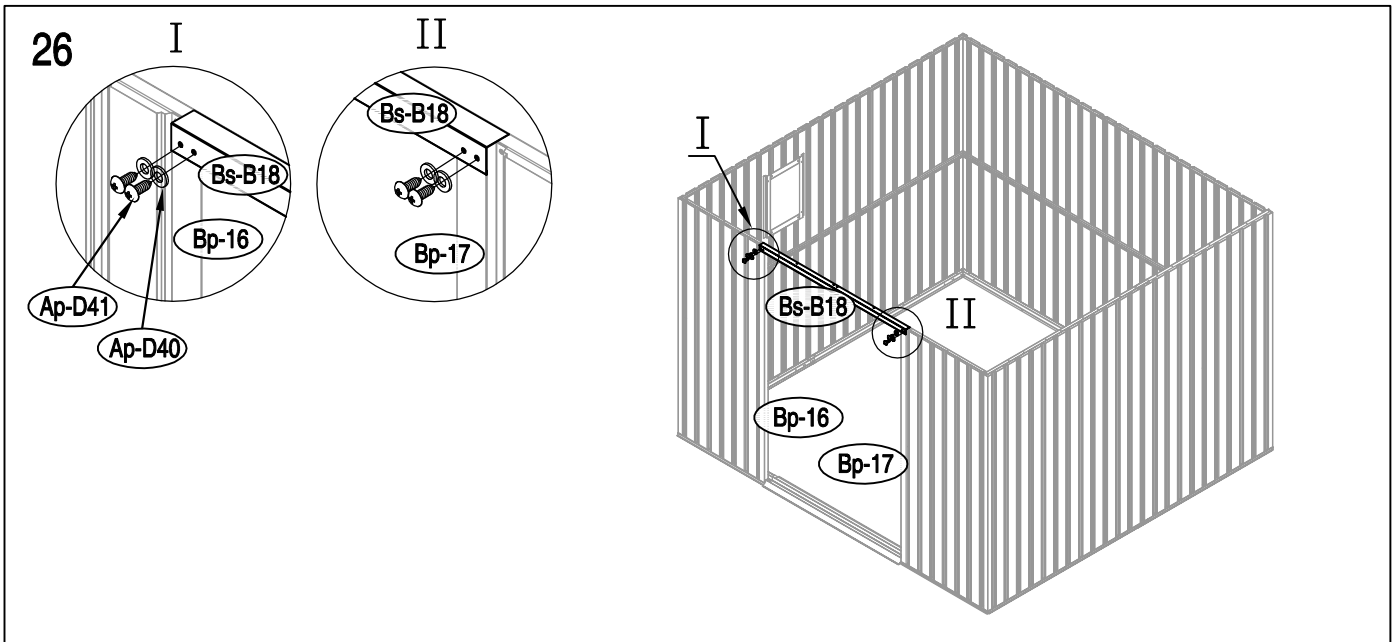
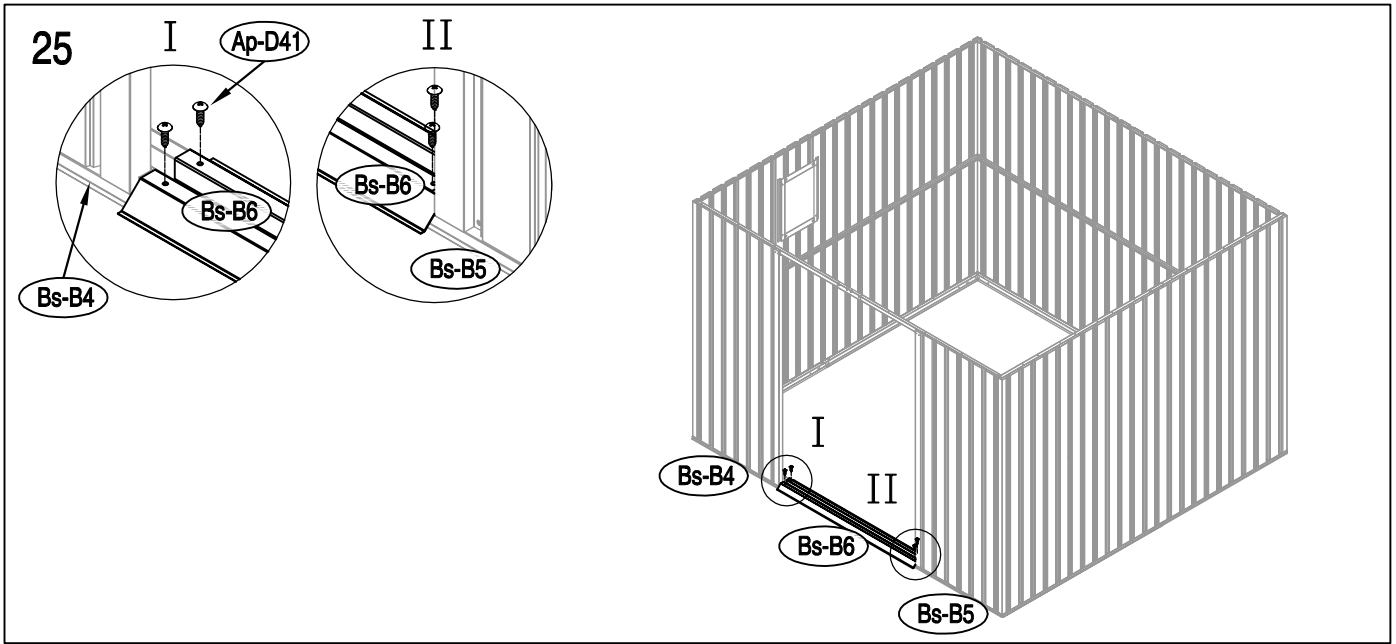


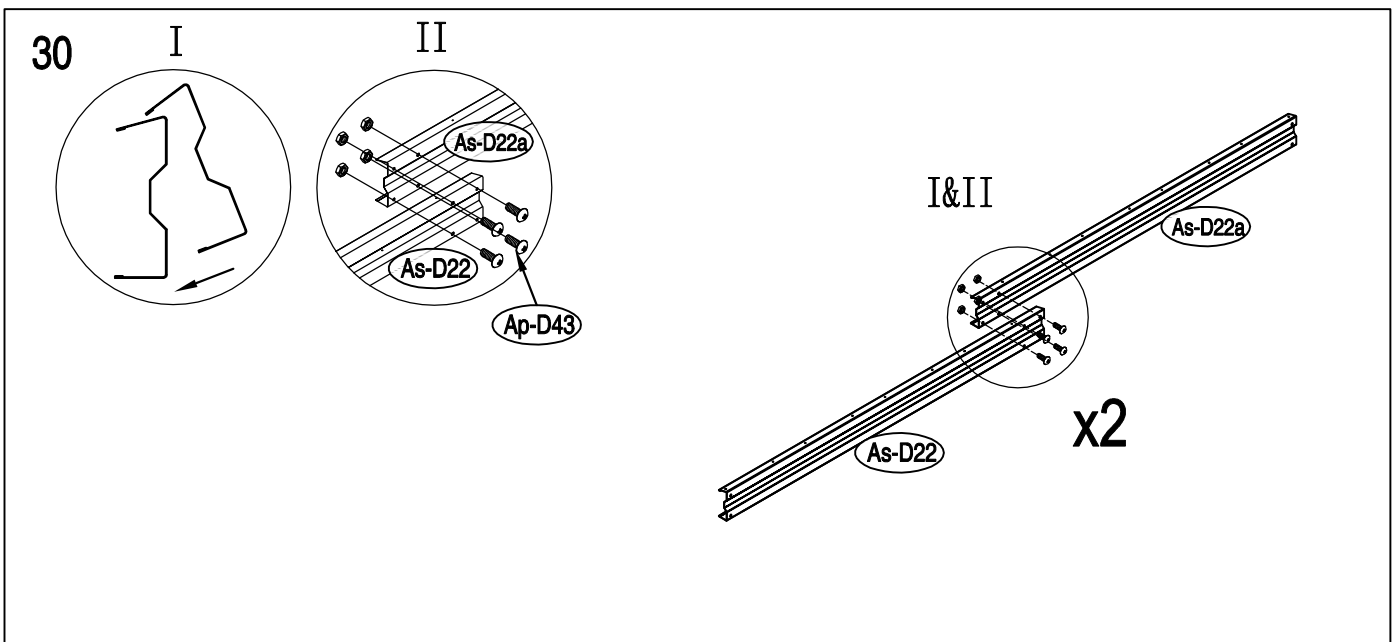
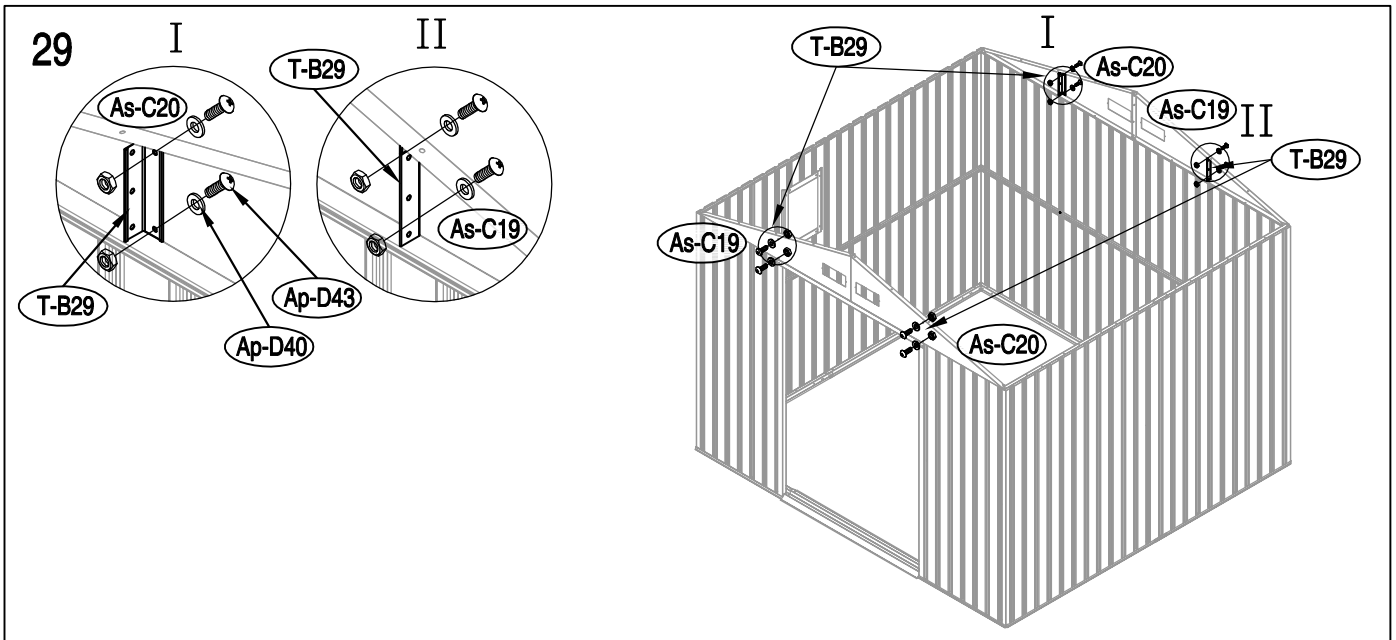
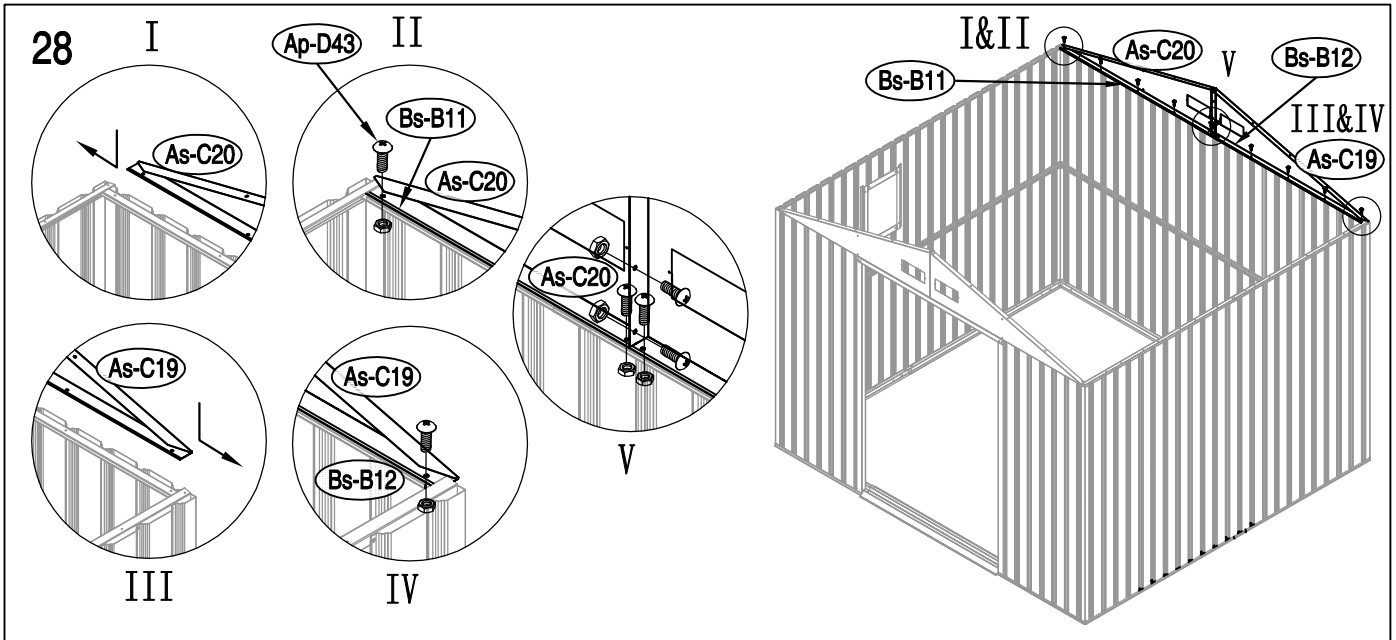


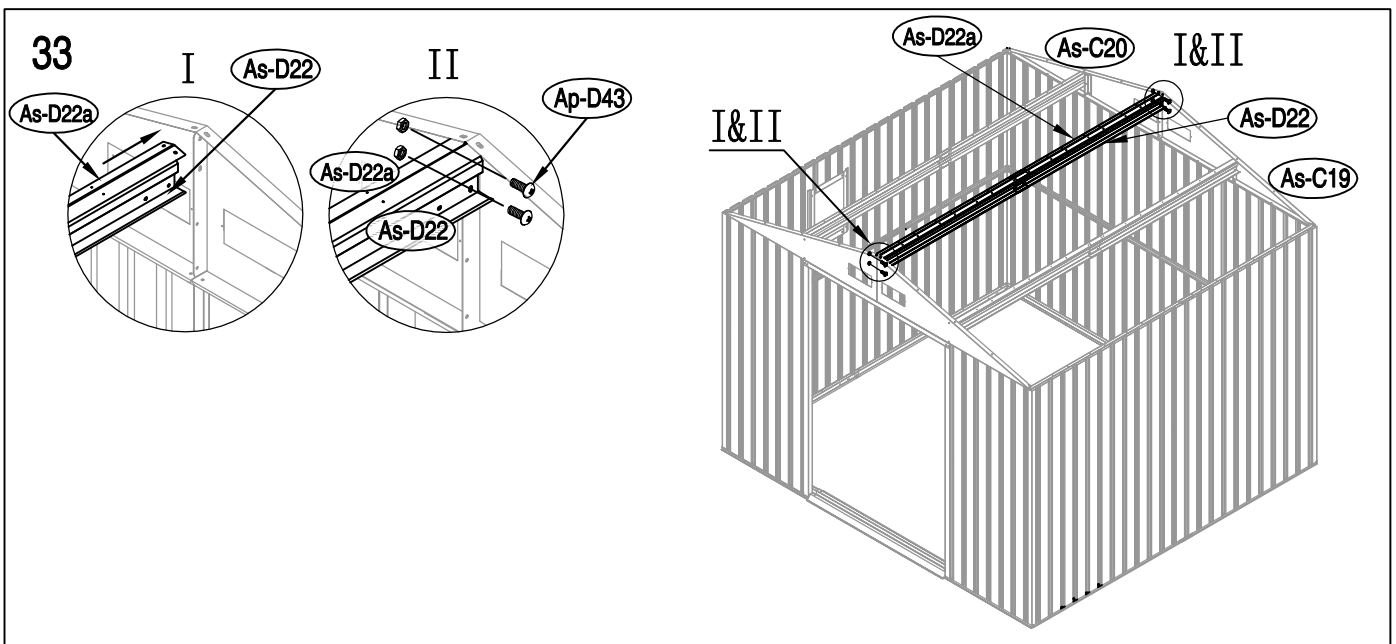
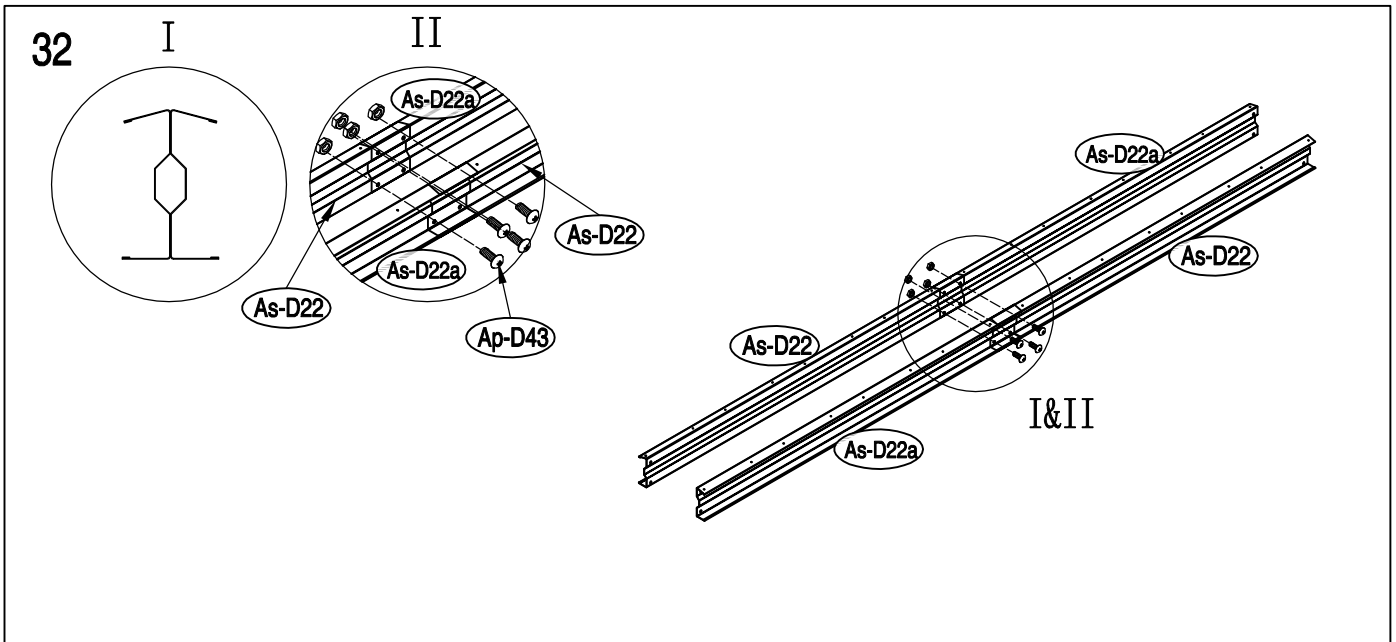
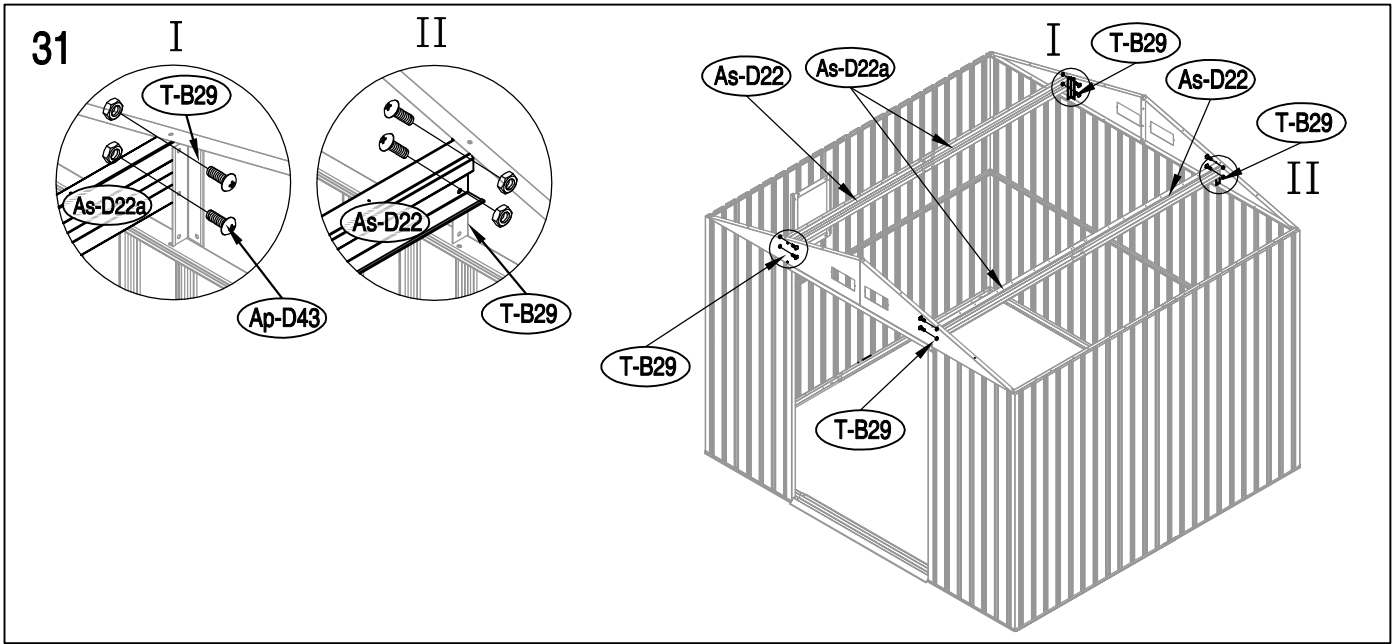


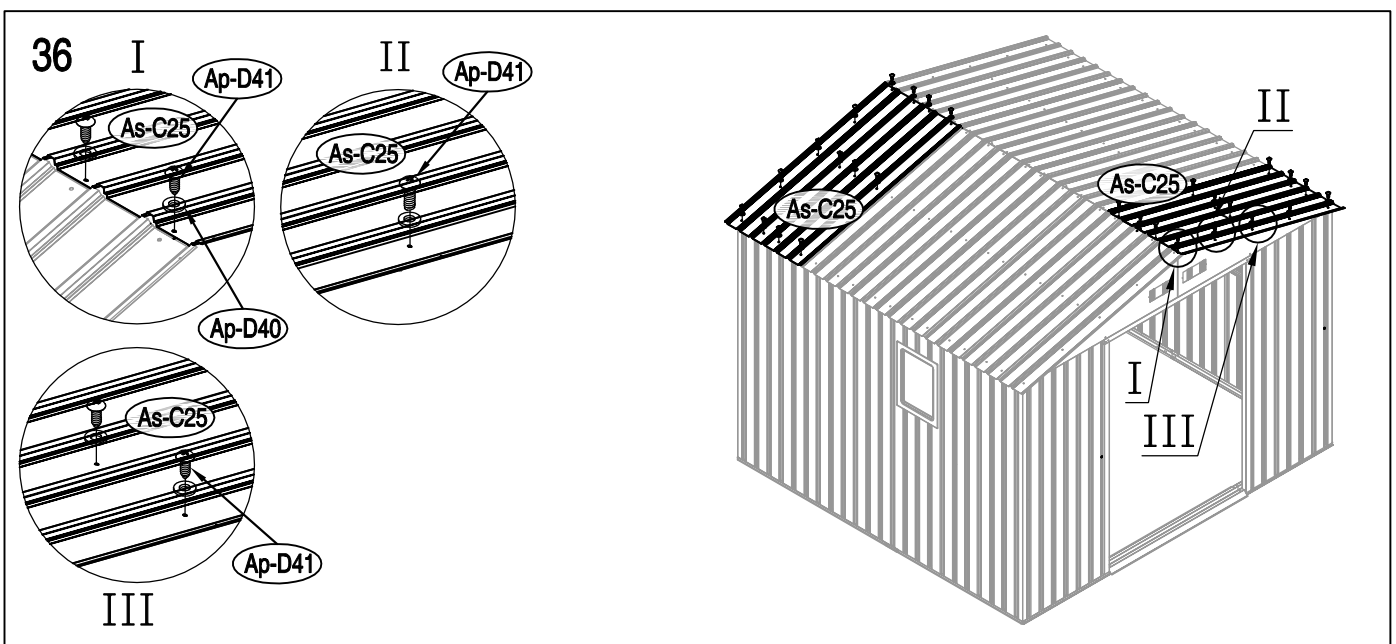
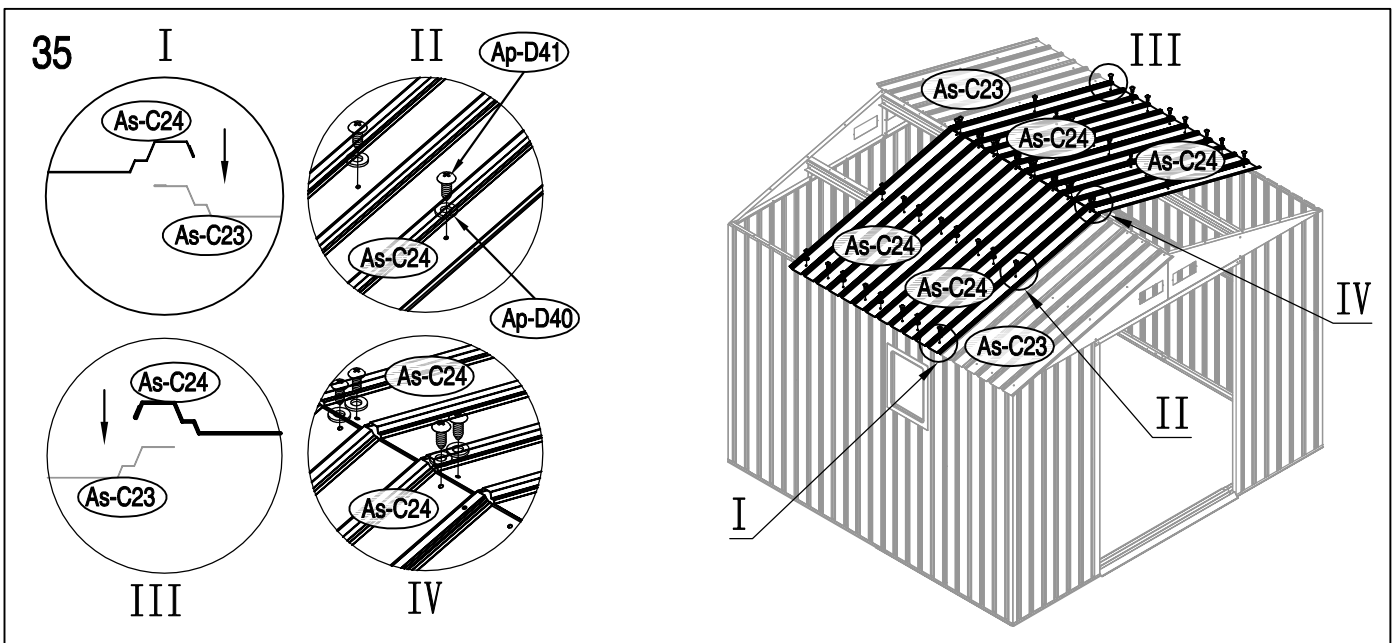
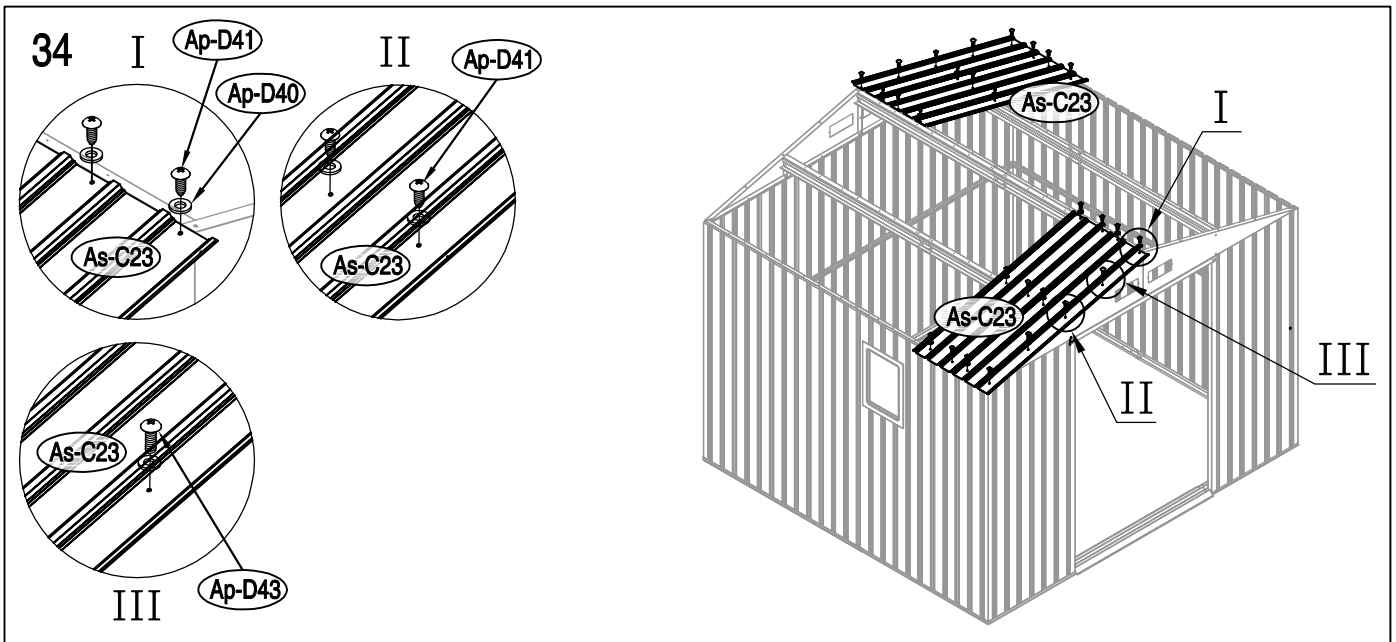


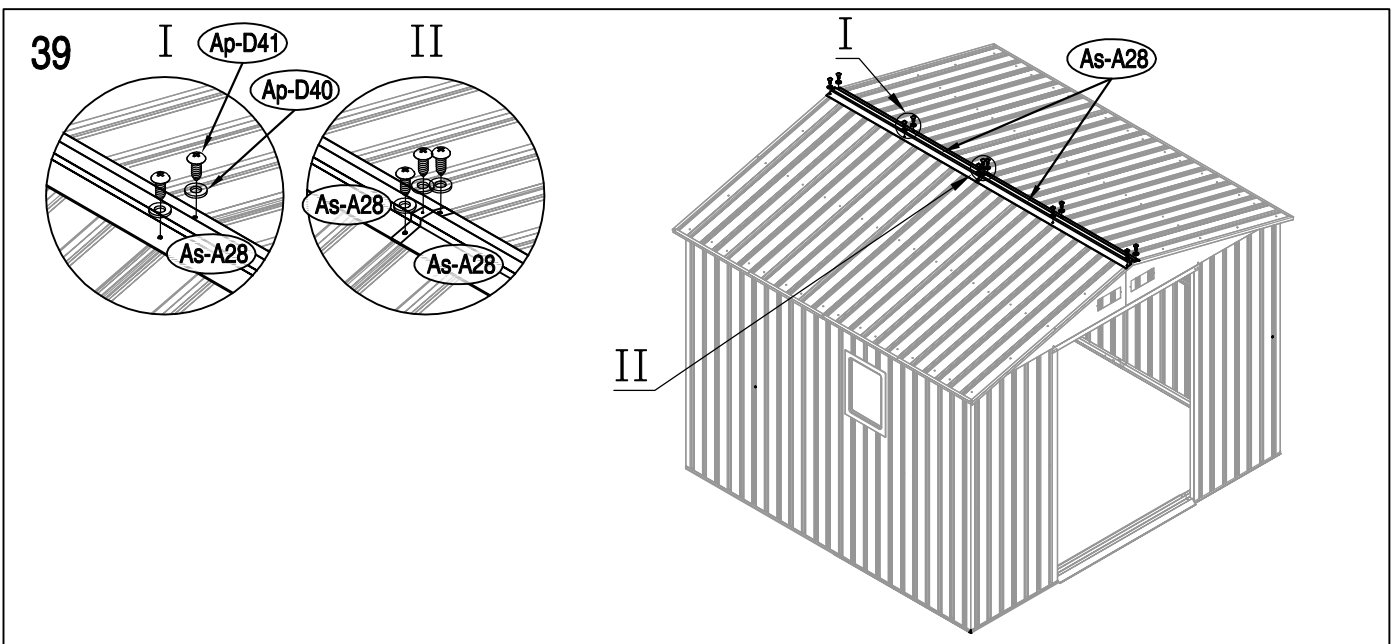
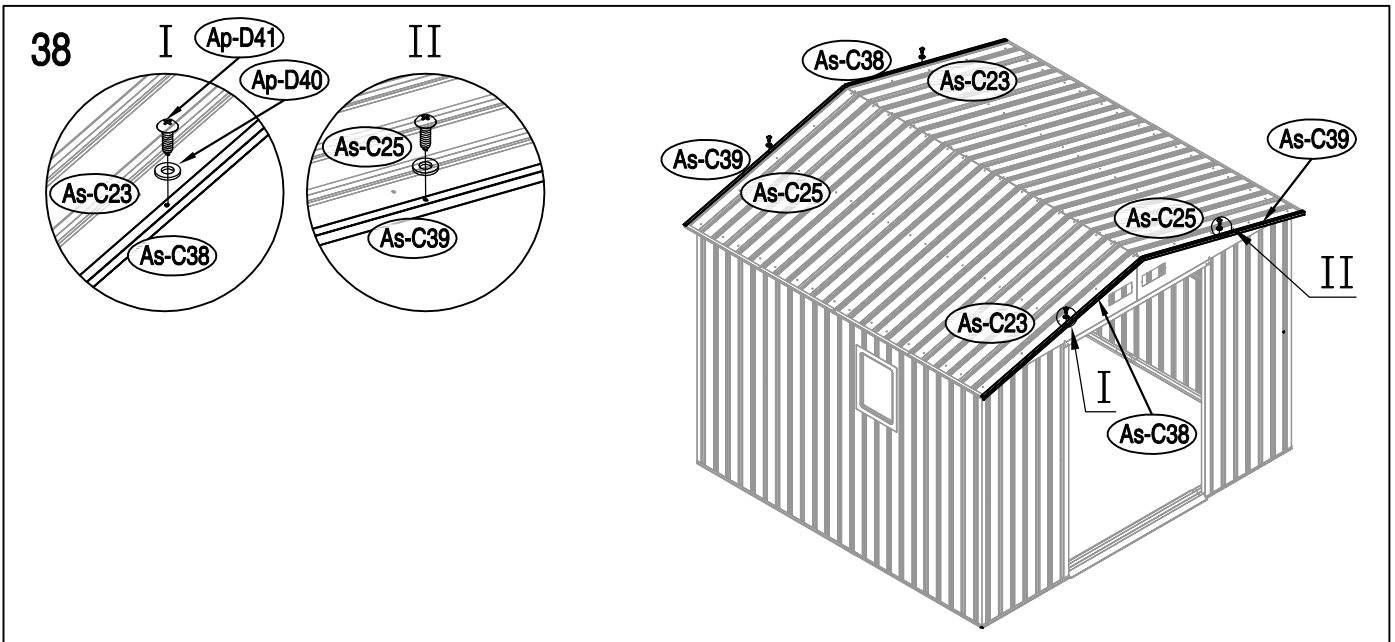
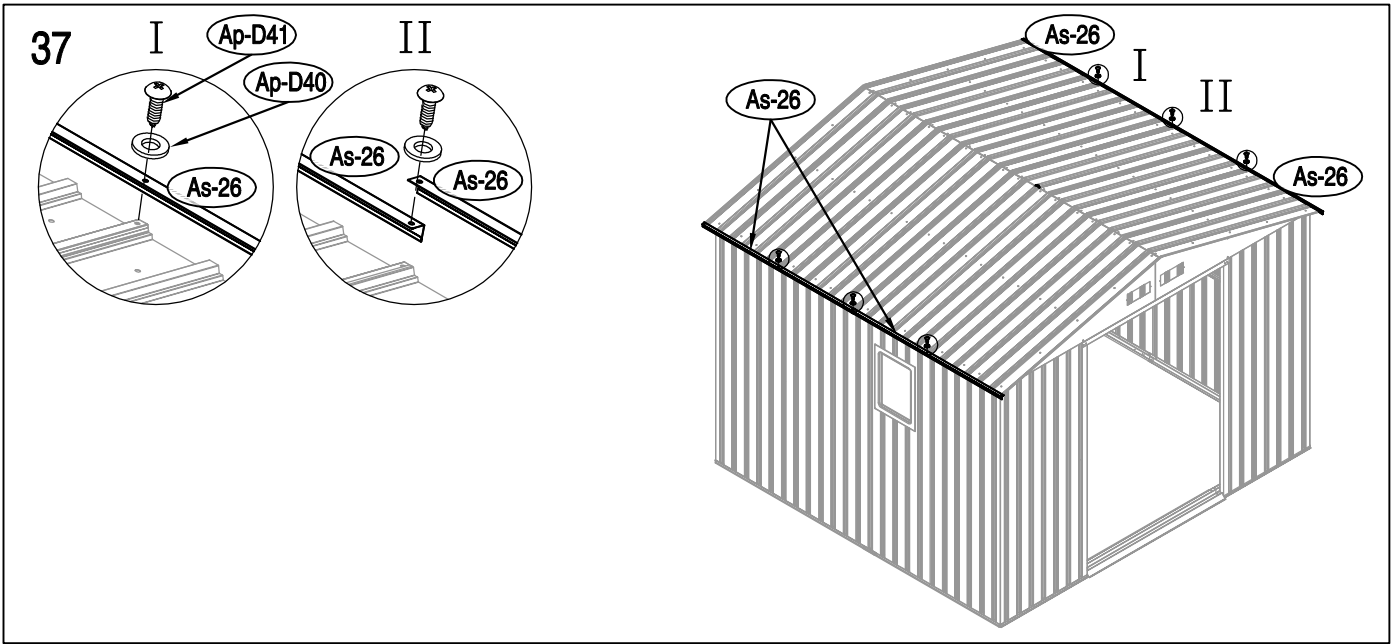


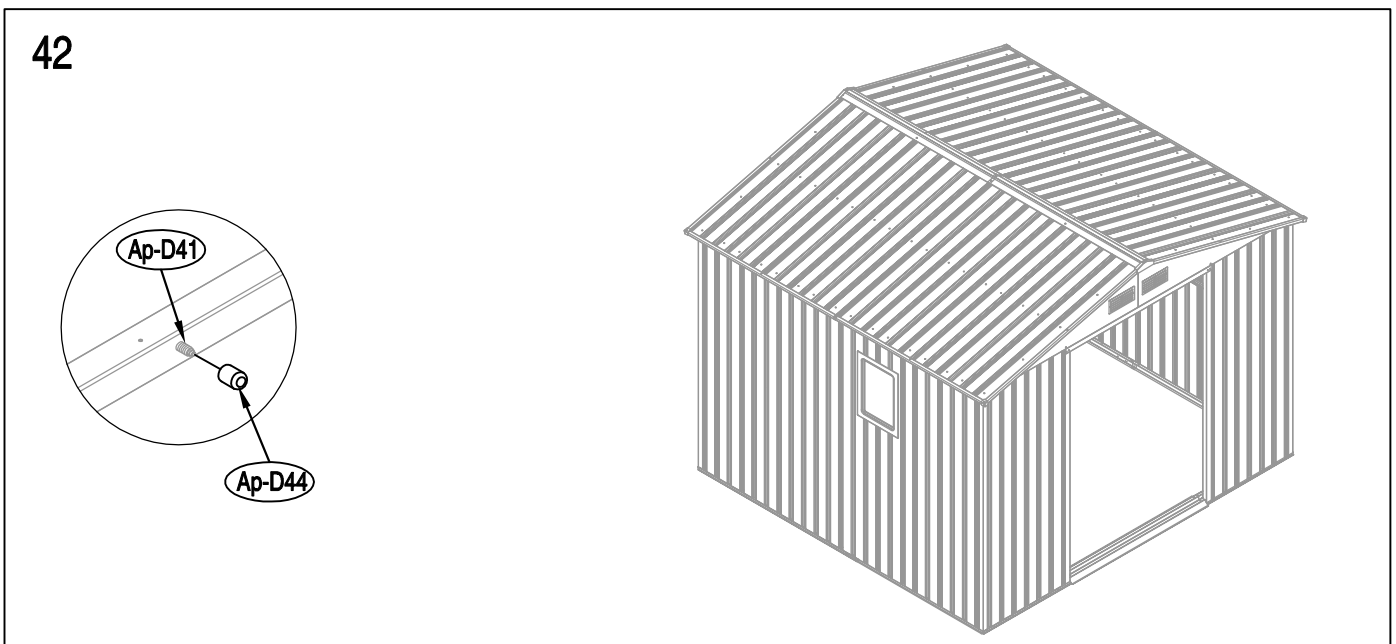
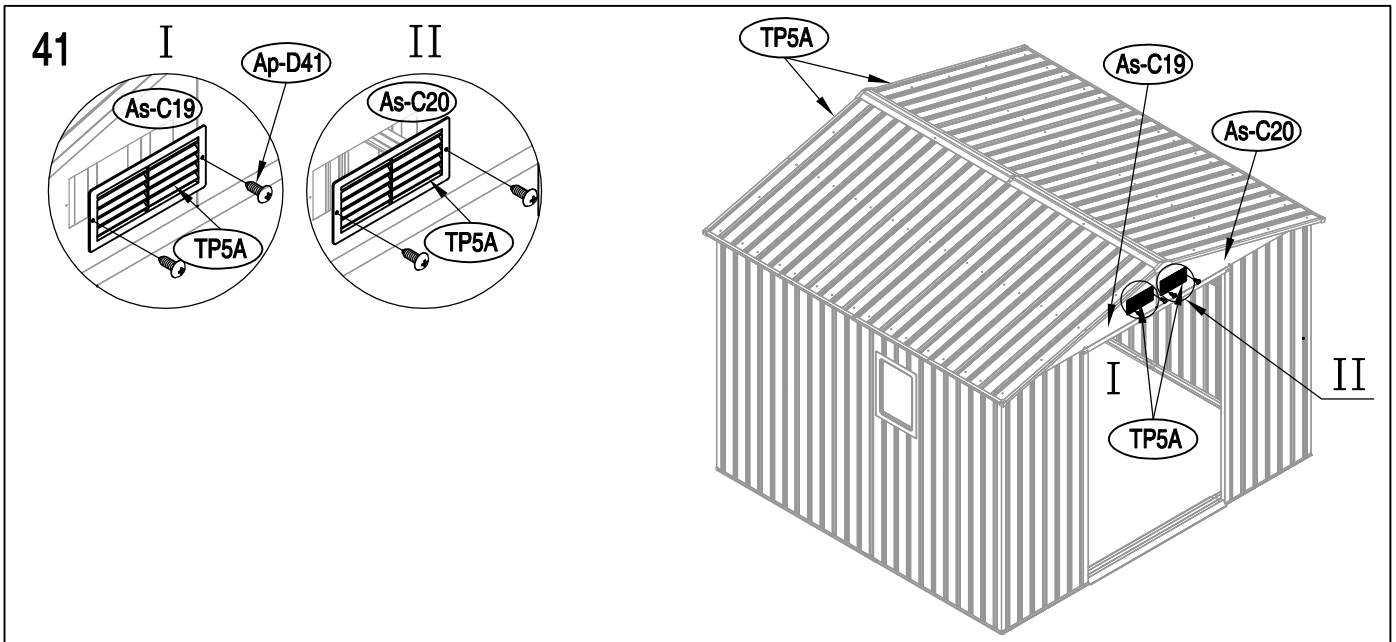
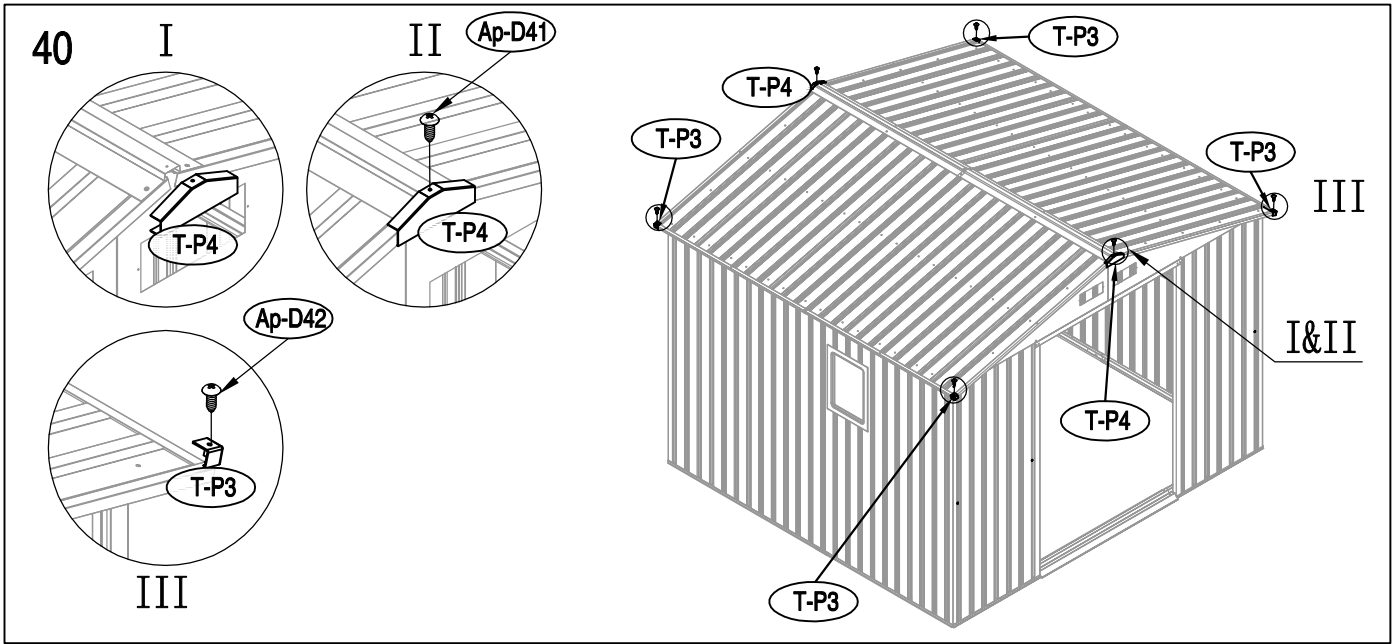




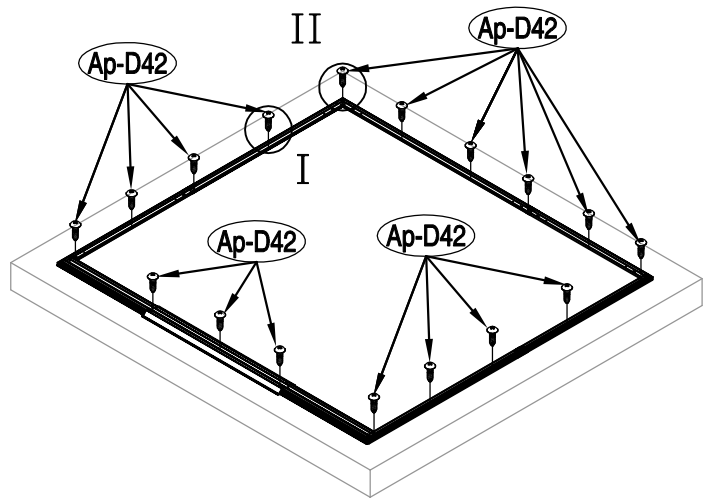
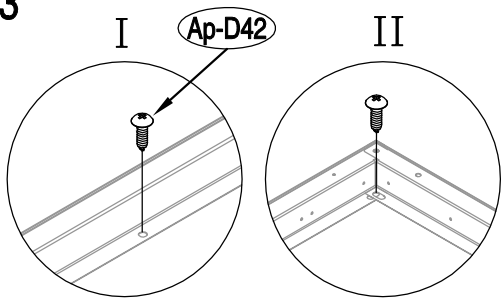


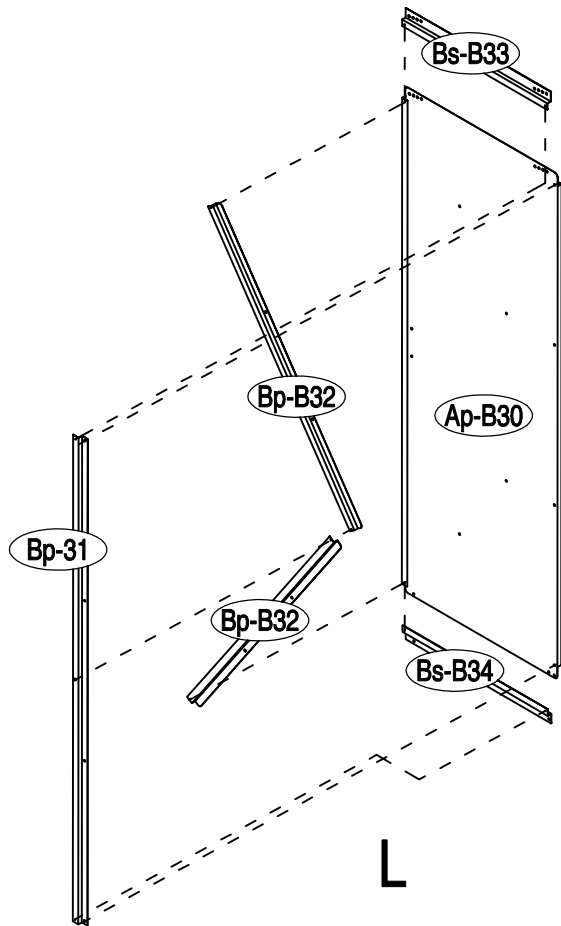




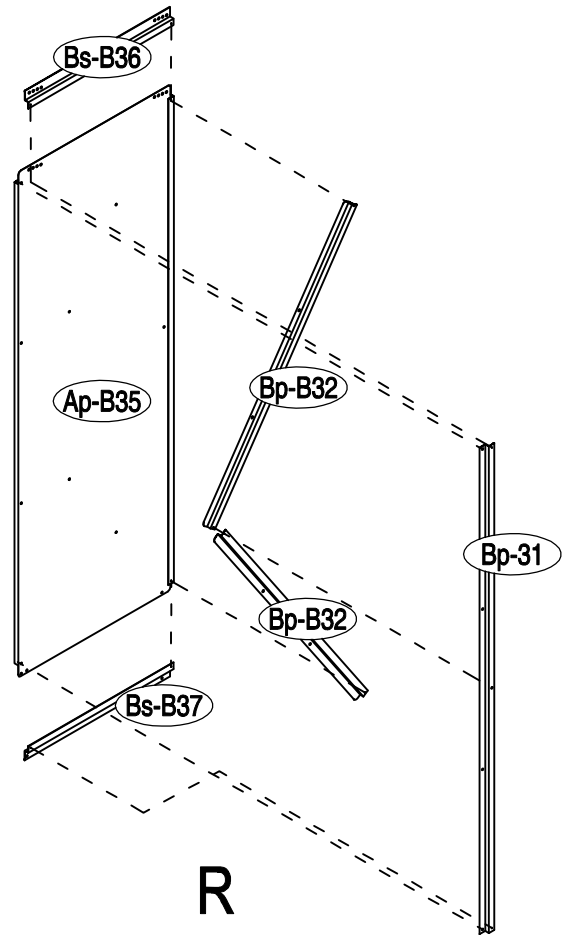


43





L



R



